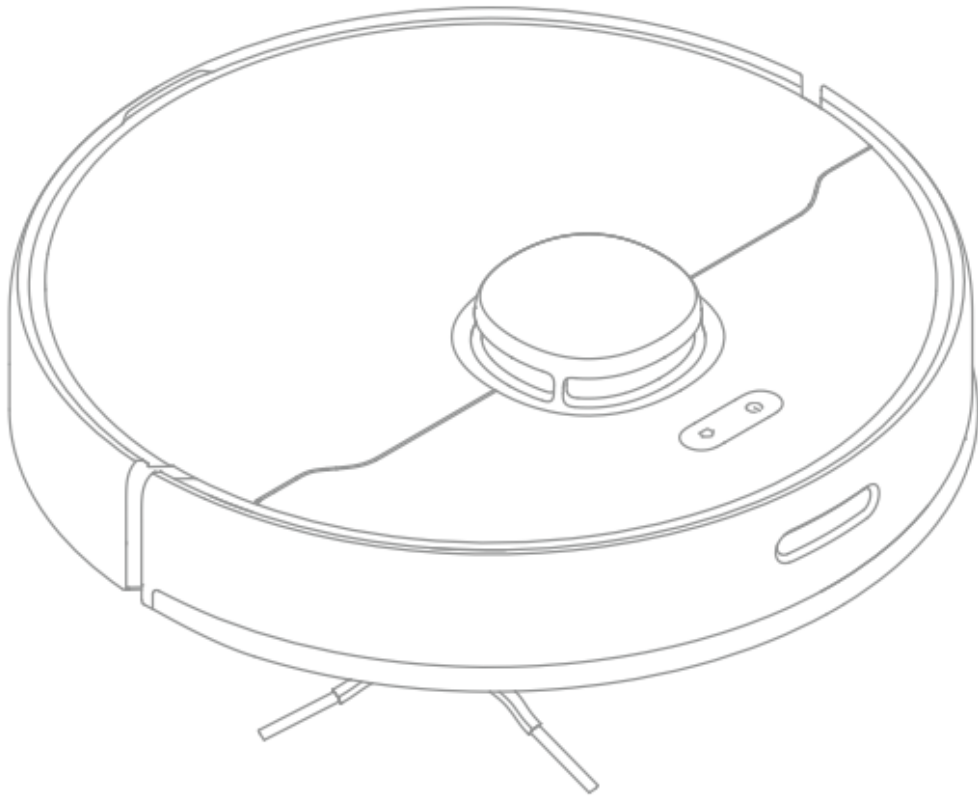


dreame



Bot D9 Max

**User Manual • Užívateľský manuál •
Užívateľský manuál • Használati utasítás •
Benutzerhandbuch**

English	3 – 25
Čeština	26 – 48
Slovenčina	49 – 71
Magyar	72 – 95
Deutsch	96 – 119

Dear customer,

Thank you for purchasing our product. Please read the following instructions carefully before first use and keep this user manual for future reference. Pay particular attention to the safety instructions. If you have any questions or comments about the device, please contact the customer line.

✉ www.alza.co.uk/kontakt

☎ +44 (0)203 514 4411

Importer Alza.cz a.s., Jankovcova 1522/53, Holešovice, 170 00 Prague 7, www.alza.cz

Safety Information

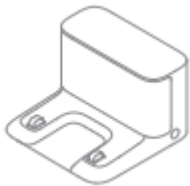
Usage Restrictions

- This product can be used by children aged 8 years and above and person with physical, sensory, intellectual deficiencies, or limited experience or knowledge under the supervision of a parent or guardian to ensure safe operation and to avoid any risks. Cleaning and maintenance shall not be done by children without supervision.
- Children shall not play with this product. Ensure children and pets are kept at a safe distance from the robot while it is operating.
- This product is for floor cleaning in a home environment only. Do not use it outdoors, or non-floor surfaces, or in a commercial or industrial setting.
- Do not use the robot in an area suspended above ground level without a protective barrier.
- Do not use the robot at an ambient temperature above 40° or 0°C or on a floor with liquids or sticky substances.
- Pick up any cables from the floor before using the robot to prevent it from dragging them while cleaning.
- Remove fragile or small items from the floor to prevent the robot from bumping into and damaging them.
- Keep hair, fingers, and other body parts away from the suction opening of the robots.
- Keep the brush cleaning tool out of reach of children.
- Do not place children, pets, or any item on top of the robot regardless of whether it is stationary or moving.
- Do not use the robot to clean any burning objects.
- Do not vacuum hard or sharp objects.
- Make sure the robot is turned off and charging dock is unplugged before cleaning or performing maintenance.
- Do not wipe any part of the product using a wet cloth or liquids.
- Please use this product in accordance with the instructions in the User Manual. Users are responsible for any loss or damage that arise from improper use of this product.

Batteries and Charging

- Do not use any third-party battery, charger, or charging dock. Use only with RCS0 supply unit.
- Do not attempt to disassemble, repair, or modify the battery or charging dock on your own.
- Do not place the charging dock near a heat source.
- Do not use a wet cloth or wet hands to wipe or clean the dock's charging contacts.
- Do not improperly dispose of old batteries. Unneeded batteries should be discarded at an appropriate recycling facility.
- If the power cord becomes damaged or broken, stop using it immediately and contact after-sales service.
- Make sure the robot is turned off when being transported and kept in its original packaging if possible.
- If the robot will not be used for an extended period, fully charge it, then turn it off and store in a cool, dry place. Recharge the robot at least once every 3 months to avoid over discharging the battery.
- This product contains batteries that can only be replaced by qualified technicians or aftersales service.

Product Overview



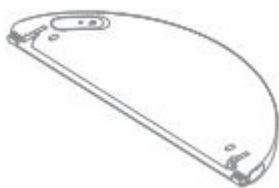
Charging Dock



Cleaning Tool



Power Cord



Water Tank



Mop Pad

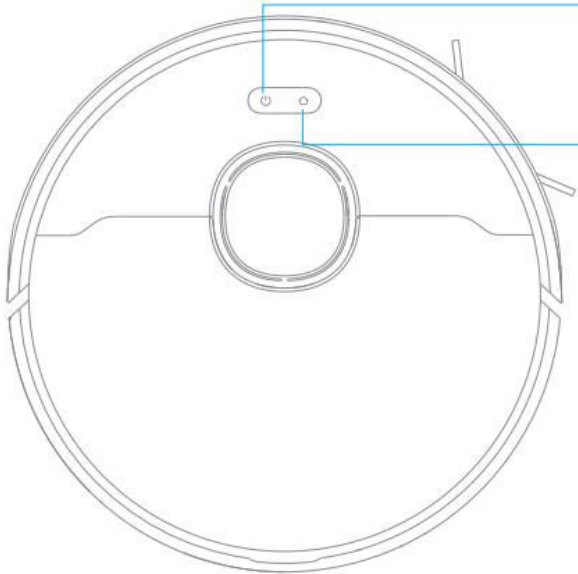


Side Brush

Note: The illustrations in this manual are for reference only. Please refer to the actual product.

Product Overview

Robot



Power/Clean Button

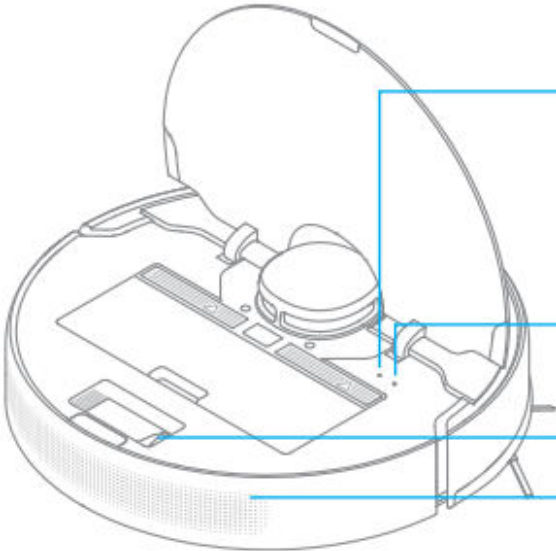
- Press to send robot back to the charging dock
- Press and hold for 3 seconds to start Spot Clean Mode

Dock Button/Spot Clean Button

- Press to send robot back to the charging dock
- Press and hold for 3 seconds to start Spot Clean Mode

Status Indicator

- White: Cleaning/Cleanup is completed / Charging is completed
- Blinking White: Return to dock to charge white the battery power is not low
- Breathing White: Vacuum is charging when the battery power is not low
- Blinking Orange: Return to dock to charg  when the battery power is low/Error
- Breathing Orange: Vacuum is charging when the battery power is low



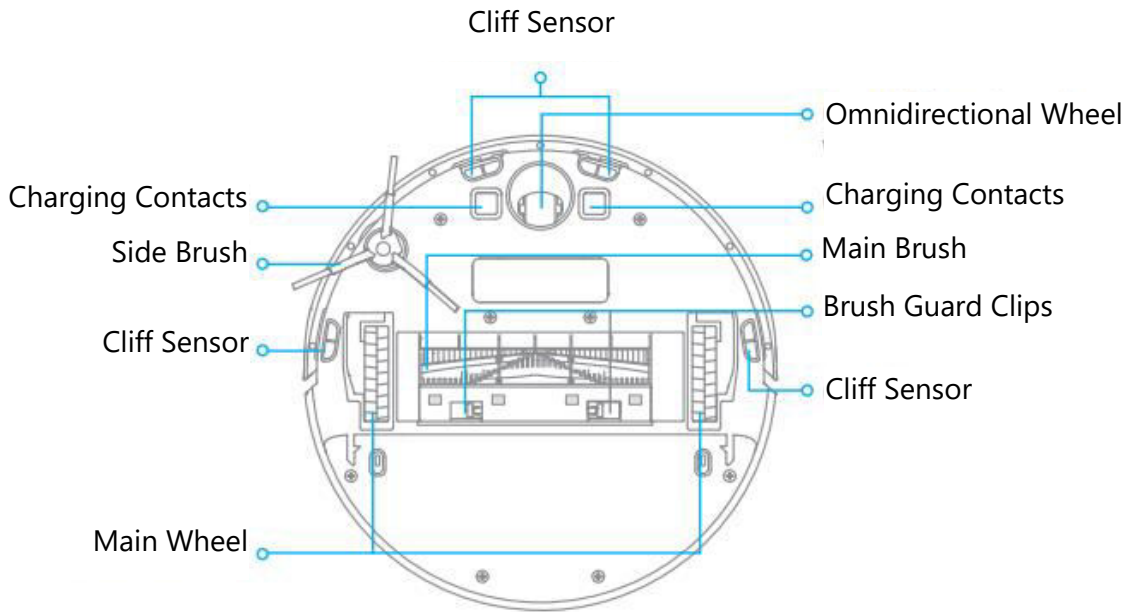
Reset Button

- Press and hold for 3 seconds to restore the robot to factory settings

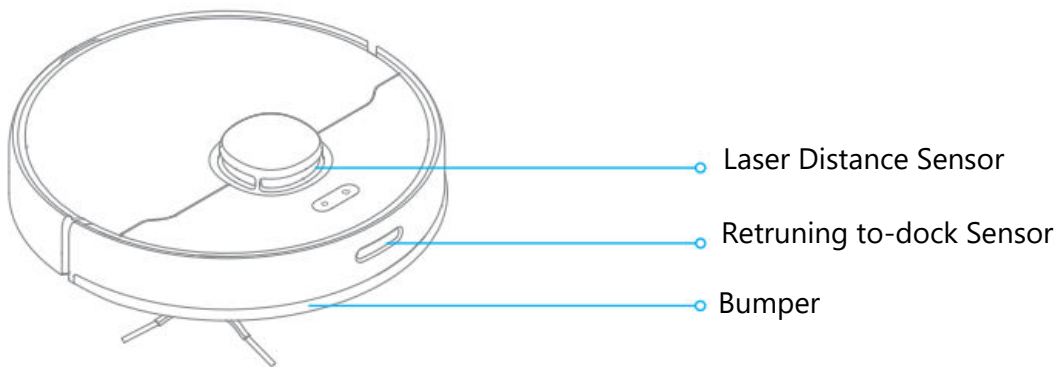
Wi-Fi Indicator

Cleaning Tool

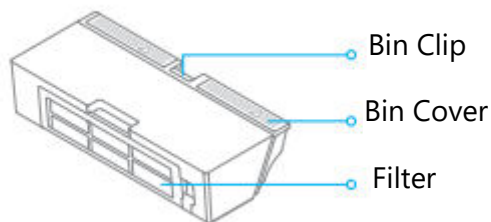
Air Outlet/Speaker



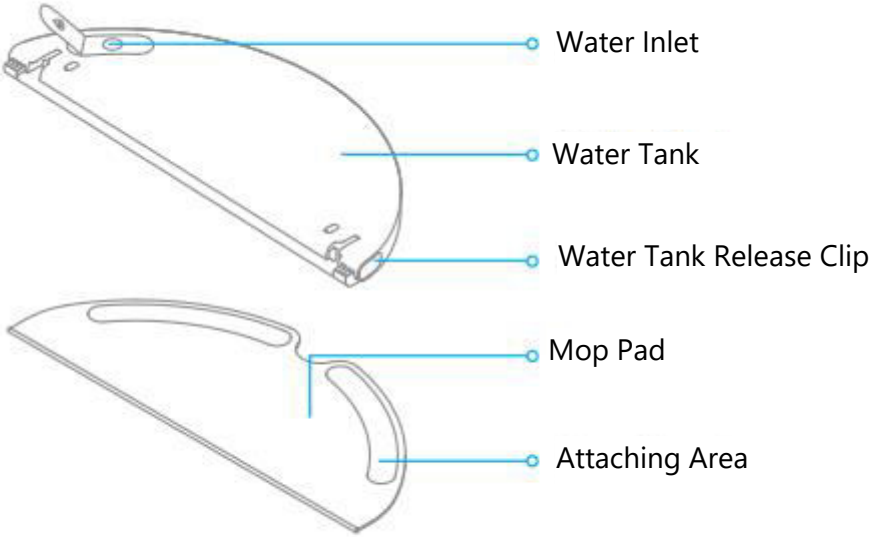
Robot Sensors



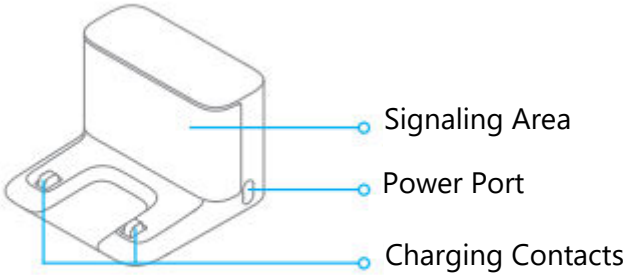
Dust Bin



Mopping Module



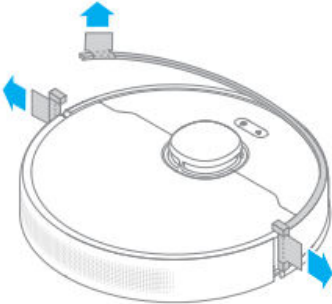
Charging Dock



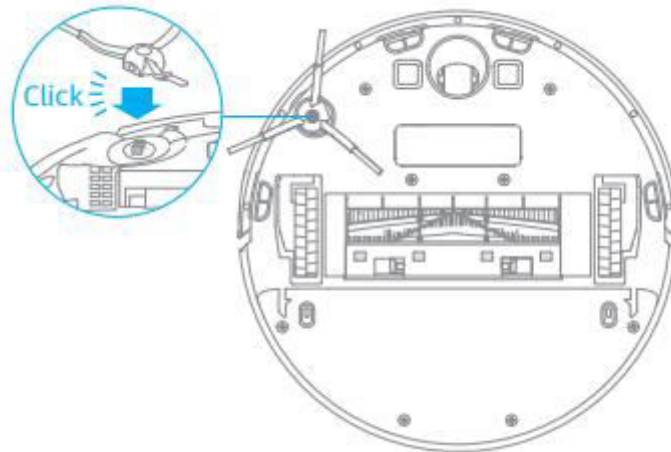
Preparation Before Use

Remove the protective film

Remove the protective films on the robot.

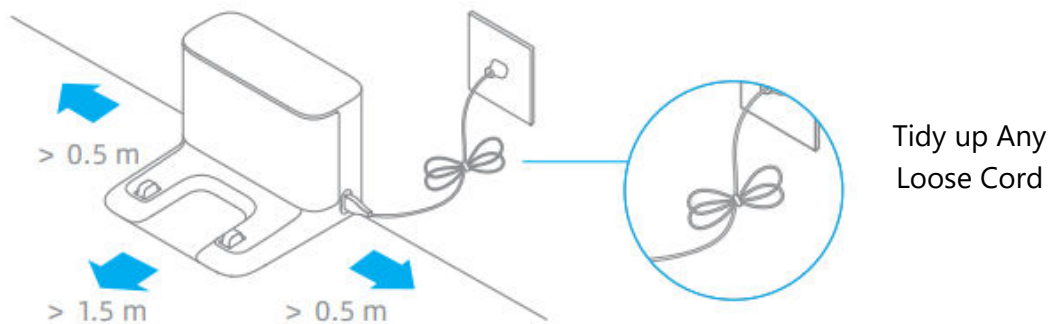


Install the side brush



Note: Install the side brush until it clicks into place.

Place the charging dock on the level ground against the wall and connect it to a power outlet



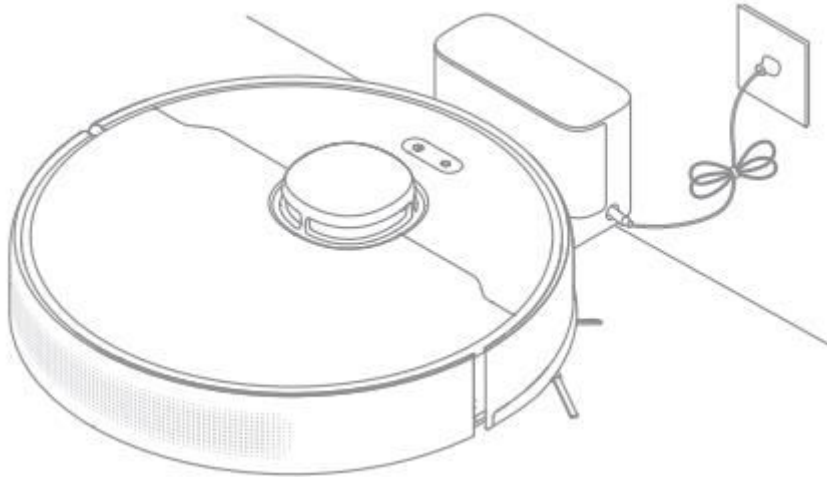
Note:

- Keep the immediate area 1.5m in front of the charger and 0.5m to both sides of the charging dock clear to objects.
- To ensure you can connect to the robot with your phone well, make sure the robot and charging dock are within the range of Wi-Fi.
- Do not place the charging dock in an area with direct sunlight or where other objects might block the signal, as this may hinder the robot from returning to the charging dock.

Place the robot onto the charging dock to recharge. The robot will turn on automatically and begin recharge

 Battery Level Indicator

- White: Battery level is more than 15%
- Orange: Battery level is less than 15%



Note:

- Fully charge your robot before first-time use.
- Don't install the mopping module while charging. Be extra careful with wet mop as it can damage the floor.

Connecting with Mi Home/Xiaomi Home App


This product works with the Mi Home/Xiaomi Home app. Use the Mi Home/Xiaomi app to control your device and to interact with other smart home devices.

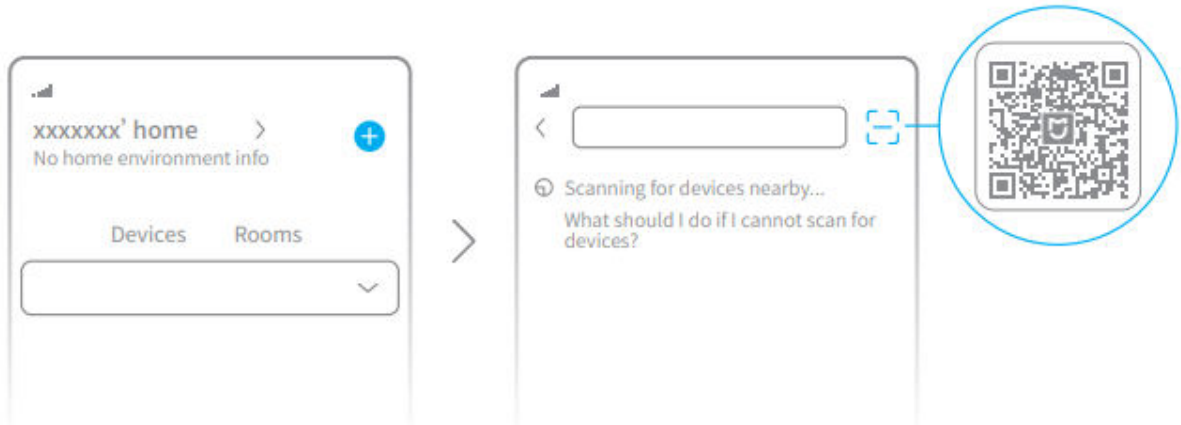
Download the Mi Home/Xiaomi Home App

Scan the QR code to download and install the app. You will be directed to the connection setup page if the app has been installed already. Alternatively, search "Mi Home/Xiaomi Home" in the app store to download and install it.



Add Device



Open the Mi Home/Xiaomi Home app and tap “+” in the upper right. Then tap “” in the top right corner, scan the QR code, add “Dreame Bot D9 Max”, and follow the prompts to finish the connection.

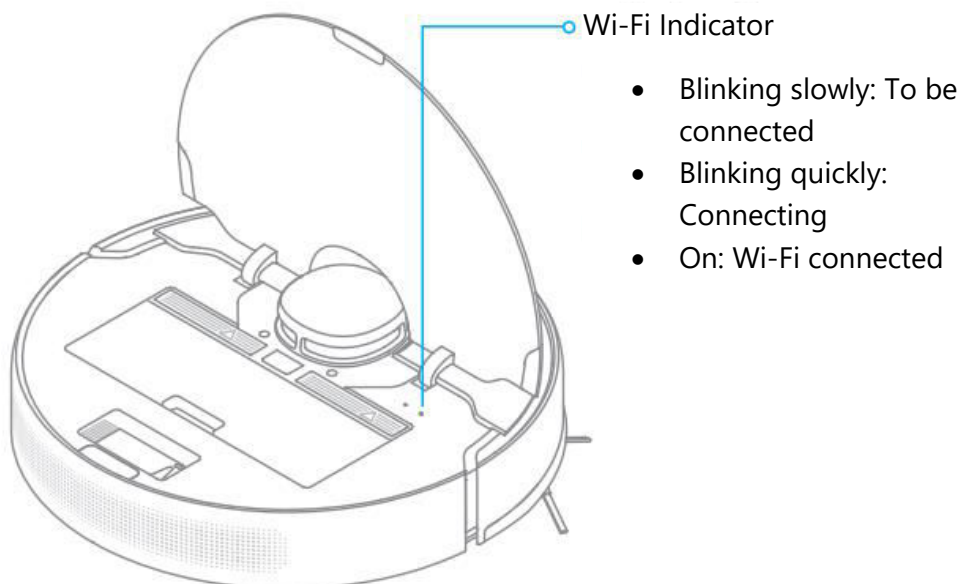


Note:

- Only 2.4GHz Wi-Fi is supported.
- The version of the app might have been updated. Please follow the instructions based on the current app version.

Reset Wi-Fi



Simultaneously press and hold the button  and  until you hear a voice say, “Waiting for the network configuration.” Once the Wi-Fi indicator is blinking slowly, the Wi-Fi has been successfully reset.




Note: If your robot cannot connect to the app successfully, reset the Wi-Fi and add the device again.

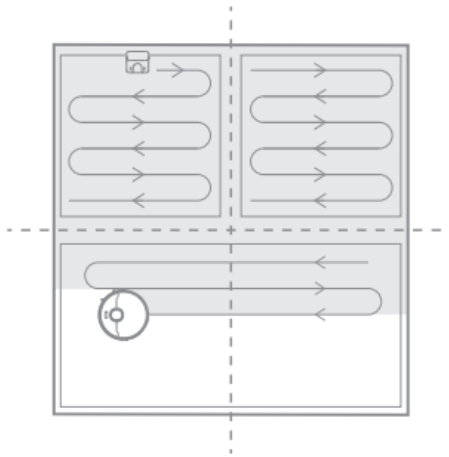
How to Use

Turn On/Off

Press and hold the button  for 3 seconds to turn on the robot. Once the power indicator turns solid white, the robot is in standby mode. To turn off the robot, press and hold the button  for 3 seconds when the robot is not moving. Turning off the robot will end the current cleaning task.

Start Cleaning

Press the button  briefly to turn on the robot. Upon activation, the robot will accurately map out a route, methodically clean along the edges and walls, then finish by cleaning each room in an S-shaped pattern to ensure a thorough app.



Note: If the battery is too low, the robot will automatically return to the dock to charge. It will resume unfinished cleaning tasks after charging to the necessary battery level. (The breakpoint continuous cleaning function must be enabled on the app in advance.)

Cleaning Mode

Dreame Bot D9 Max has four cleaning modes: Quiet, Standard, Strong and Turbo. The default mode is Standard. You can specify the cleaning mode in the Mi Home/Xiaomi Home app.

Pause/Sleep Mode

Pausing: Press any button to pause the robot during cleaning.

Sleep Mode: The robot will automatically enter Sleep Mode after 10 minutes of inactivity, then the power and charging indicators will go off. To wake up the robot, press any button.

Note:

- The robot will turn off automatically if left in Sleep Mode for more than 12 hours.
- When the robot is paused, placing it onto the charging dock will end the current cleaning task.


Do Not Disturb Mode

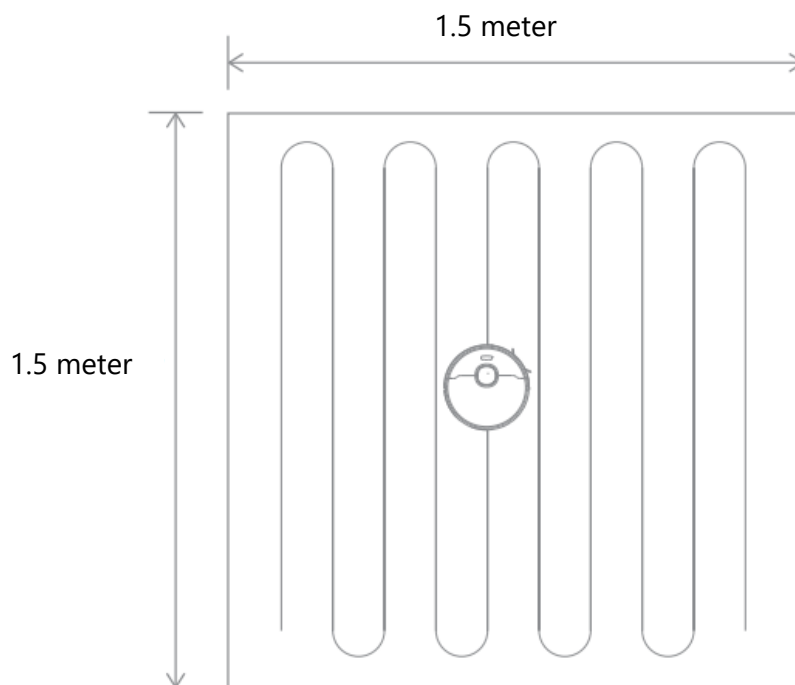
Do Not Disturb Mode prevent the robot from automatically starting cleaning tasks, and the power indicator remains off. You can enable Do Not Disturb Mode or modify its hours in the app. (The mode is on by default from 22:00 to 08:00).

Note:

- Scheduled cleaning tasks will still be carried out during DND period.
- The robot will continue cleaning after the DND period ends.

Spot Clean Mode

When the robot is paused or in Standby Mode, press and hold the button  for 3 seconds to start Spot Clean Mode. In this mode, it will clean a square-shaped area of 1.5 x 1.5 meters directly around the robot. When the spot cleaning is done, the robot will automatically return to its original location and power off.



Note: Activating Spot Clean Mode will end the current cleaning task of the robot.

Scheduled Cleaning

You can schedule cleaning time in the Mi Home/Xiaomi Home app. The robot will automatically start cleaning at the designated time and then return to the charging dock to recharge when the cleaning is done.

Additional App Functions

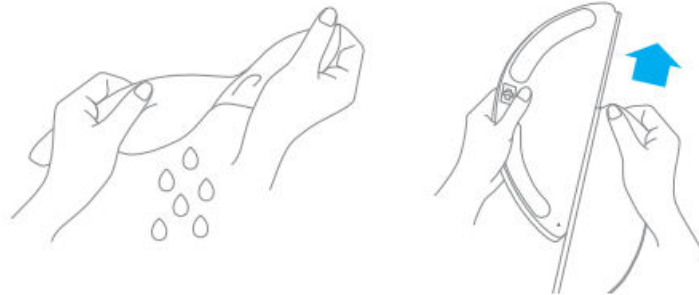
Follow the instructions on the app interface to use more functions.

The version of the app might have been updated; please follow the instructions based in the current app version.

Use the Mopping Function

It is recommended that all floors are vacuumed at least three times before the first mopping session to achieve a better cleaning effect.

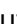
1. Dampen the mop pad and wring out excess water. Slide the pad all the way into the slot of the water tank until it is securely in place.

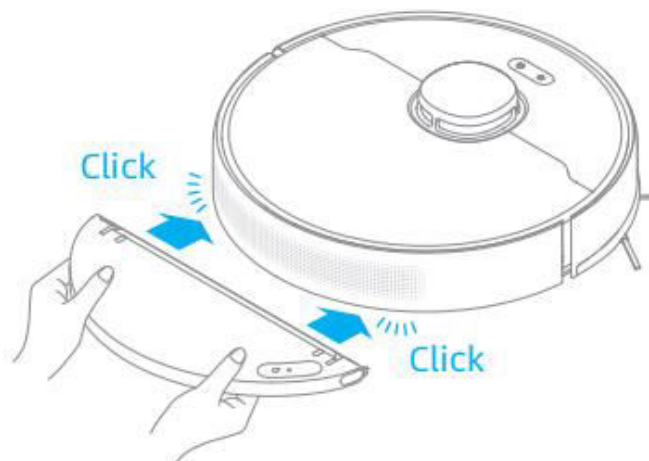


2. Open the water tank lid, fill the tank with water, then securely close the lid.



Note: Do not use detergent or disinfectant.

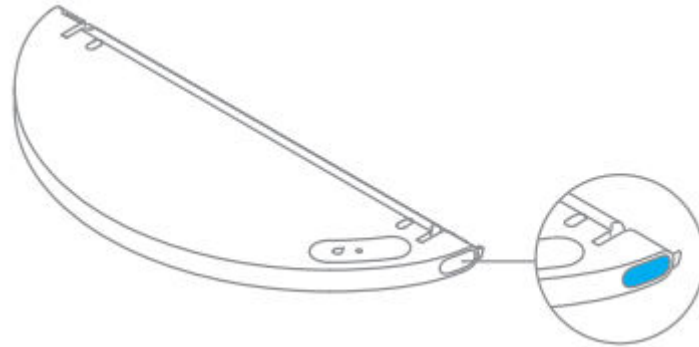
3. Align the mopping module as indicated by the arrow, then slide it into the back of the robot until it clicks into place. Press the button  or use the Mi Home/Xiaomi Home app to start cleaning.



Note:

- It is not recommended to use the mopping function on carpets.
- Use the app to adjust the water as required.

4. Press the two side clips inwards and slide the water tank backwards to separate it from the robot.

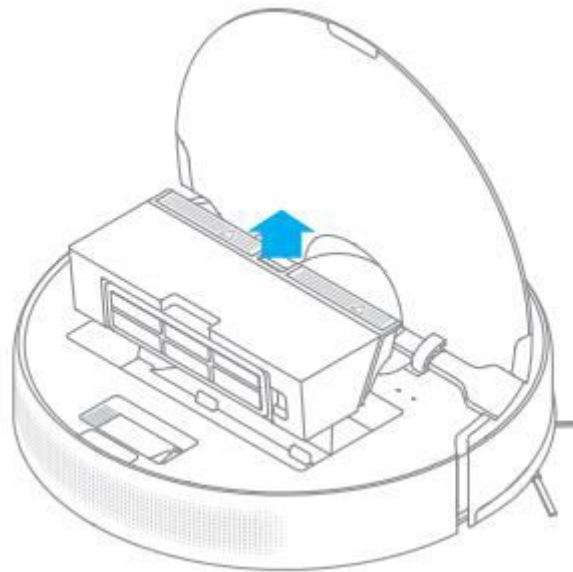


Note: When the robot is charging or not in use, remove the mopping module, pour out all the remaining water in the tank, and clean the mop pad to prevent mildew or odor.

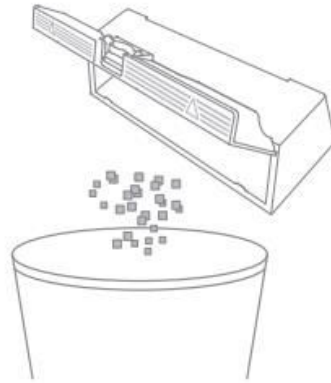
Routine Maintenance

Clean the Dust Bin and Filter

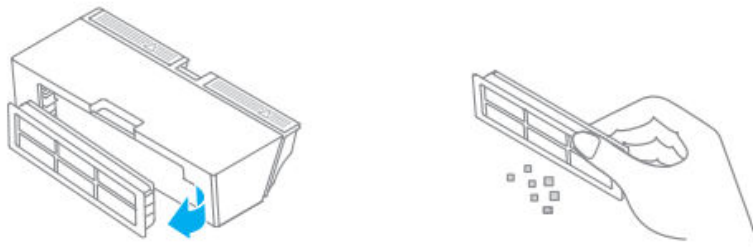
1. Open the robot cover, then press the dust bin clip to remove the dust bin.



2. Open the dust bin cover as indicated by the diagram

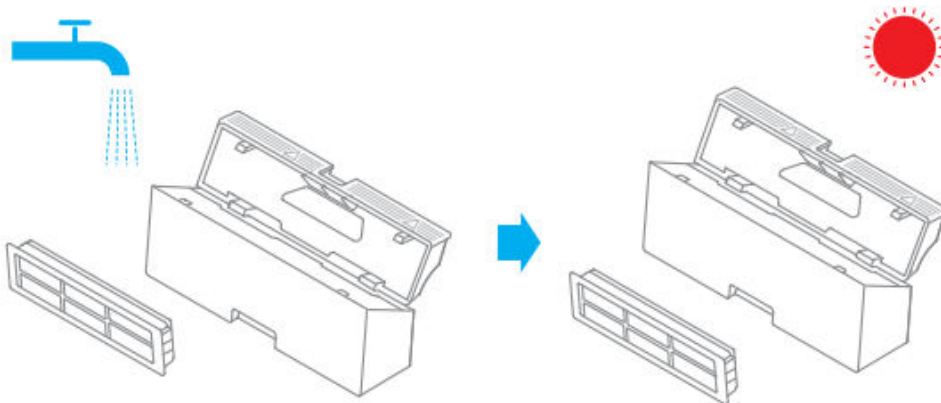


3. Remove the filter and tap its basket gently.



Note: Do not attempt to clean the filter with a brush or finger

4. Rinse the dust bin and filter with water until they are clean. Thoroughly dry the filter before re-installing.

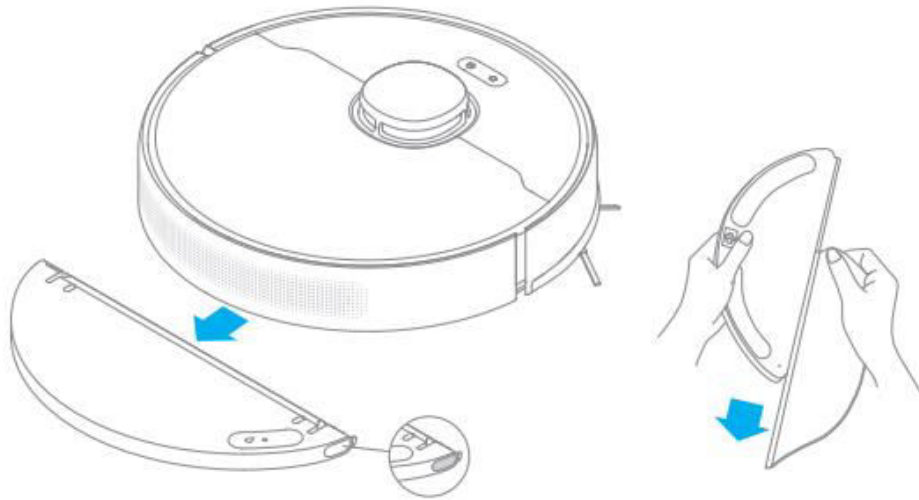


Note:

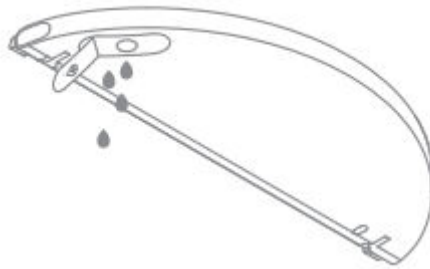
- Only clean water should be used to clean the filter. Do not use detergent.
- Keep it in a well-ventilated or cool place.

Clean the Mopping Module

1. Press the two release clips on the side of water tank, remove the mopping module and pull the mop pad off the mopping module.

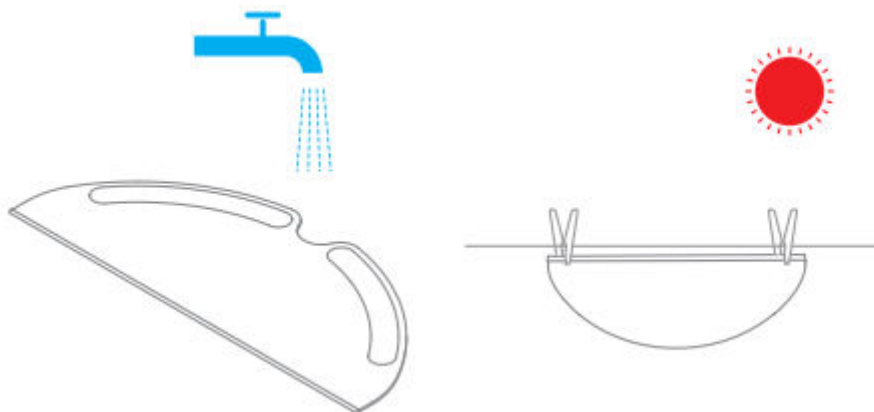


2. Pour out the water in the tank. Clean with water only and leave to air dry before re-installing.



Note: Do not expose the tank to the sun directly.

3. Clean the mop pad with water only and leave to air dry before re-installing.



Note:

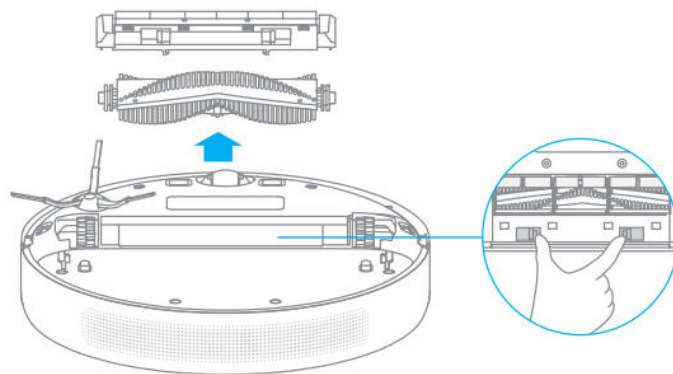
- Remove the pad from the mopping module before cleaning it, and make sure dirty water does not flow back into the water outlet to avoid clogging.
- For optimal performance, it is recommended to replace the mop pad every 3 to 6 months.

4. If slow water flow occurs, or the volume is not well-distributed, please clean the air hole in the cover of the water tank.

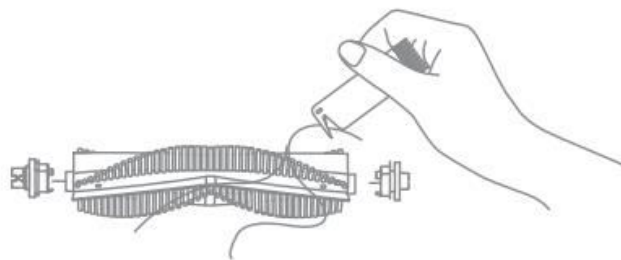


Clean the Main Brush

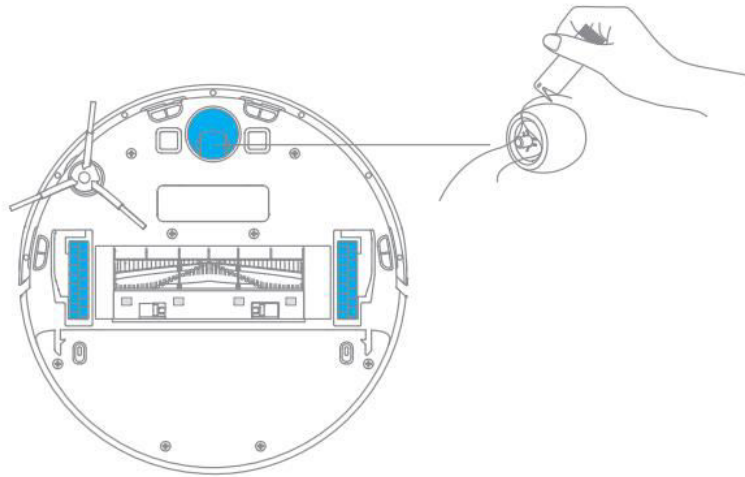
Press the brush guard clips inwards to remove the brush guard and lift the brush out of the robot.



Pull out the brush cover as shown in the diagram. Use the included cleaning tool to remove any hairs tangled in the brush.



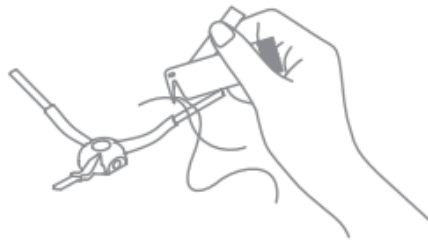
Clean the Main Wheel / Omnidirectional Wheel



Note: Use a tool such as a small screwdriver to separate axle and tire.

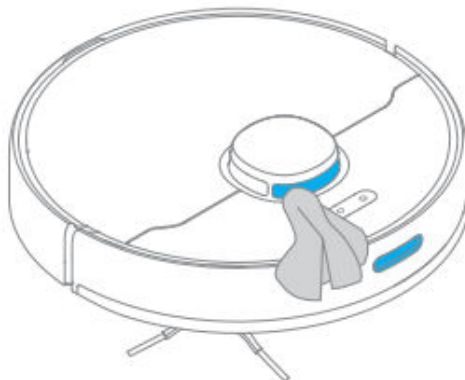
Clean the Side Brush

Pull out the side brush and use the included cleaning tool to remove any hair tangled on the brush.





Note: Wet cloths can damage sensitive elements within the robot and charging dock. Please use dry rags for cleaning.

Clean the Laser Distances Sensor / Returning-to-dock Sensor



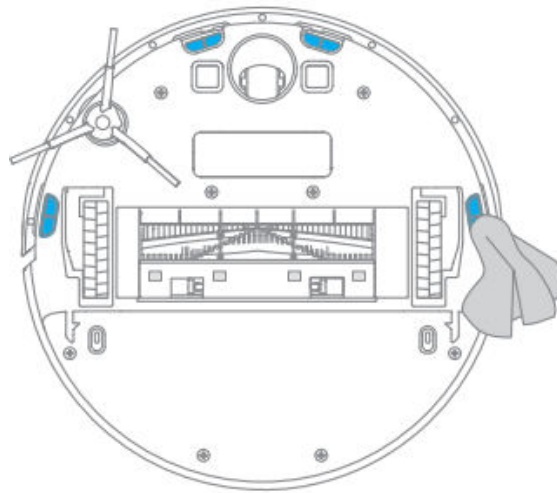
Robot Restarting

If the robot stops responding or cannot be turned off, press, and hold down the button  for 10 seconds to forcefully turn it off. Then press and hold the button  for 3 seconds to turn the robot on.

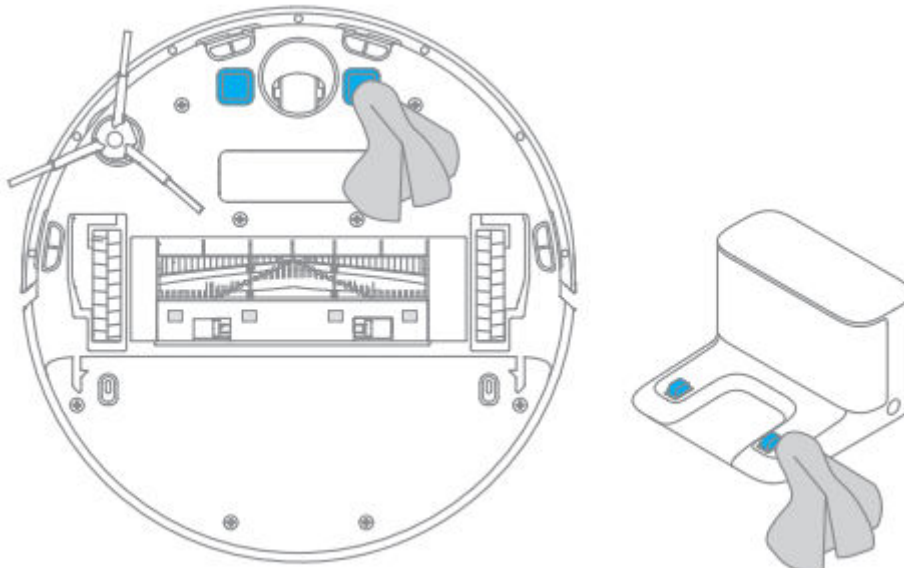
Battery

The robot contains a high-performance lithium-ion battery pack. Please ensure that it remains well-charged for daily use to maintain optimal battery performance. If the robot is not used for an extended period of time, turn it off and put it away. To prevent damage from over-discharging, the robot should be recharged at least once every three months.

Clean the Cliff Sensor



Clean the Charging Contact



FAQ

Problem Type	Solution
Robot does not turn on	The battery level is low. Recharge the robot at the charging dock, then try it again. The ambient temperature is too low (below 0°C) or too high (above 40°C) The operating temperature of the robot is 0°C to 40°C.
Robot cannot recharge	The charging dock is not receiving power. Please confirm that both ends of the power cord are plugged in correctly. Poor contact. Clean charging contacts of the charging dock and the robot.
Robot cannot return to the charging dock	There are too many obstructions around the charging dock. Place the charging dock in a more open area. Please clean the dock's signalling area.
Robot is malfunctioning	Turn off the robot and then reactivate it.
Robot is making a strange noise	A foreign object may be caught in the main brush, side brush, or one of the main wheels. Stop the robot and remove any debris.
Robot no longer cleans efficiently or leaves dust behind	The dust bin is full. Please clean it. The filter is blocked. Please clean it. A foreign object is caught in the amin brush. Please clean it.
Robot cannot connect to Wi-Fi	There is something wrong with the Wi-Fi connection. Reset the Wi-Fi and download the latest version of the Mi Home/Xiaomi Home app, then try reconnecting. Location permission is not open. Please ensure the location permission on the Mi Home/Xiaomi Home app is enabled. Wi-Fi signal is weak. Make sure the robot is in an area with good Wi-Fi coverage. 5GHz Wi-Fi is not supported. Please ensure your robot connects to 2.4GHz Wi-Fi. The username or password of Wi-Fi is incorrect. Please enter the correct username and password.
Robot does not perform scheduled cleaning	The robot has low battery. Scheduled cleaning will not start unless the robot has been recharged in time.
Does leaving the robot on the charging dock consume power if it is already fully charged?	Leaving the robot on the charging dock after it's fully charged consumes very little electricity and helps maintain optimal battery performance.
No water comes out of the mopping module, or only a little bit comes out	Confirm that the water tank is filled with water and clean the mop pad if necessary. Clean the mop if it becomes dirty.

	Make sure the mop pad is installed correctly according to the user manual. Clean the blowhole on the top of the water tank.
Robot doesn't resume cleaning after charging	Make sure the robot is not set to Do Not Disturb mode, which will prevent it from resuming cleaning. The robot does not resume cleaning when it is manually recharged or placed onto the base.
Robot doesn't return to charging dock after being moved	Moving the robot may cause it to re-position itself or re-map its surroundings. If the robot is too far from the charging dock, it might be able to automatically return on its own, in which case you need to manually place the robot onto the charging dock.

Specifications

Robot

Model	RLS5-BL1
Battery	5200 mAh (Battery Nominal Capacity)
Charging Time	Approx. 6 hours
Wireless Connectivity	Wi-Fi IEEE 802.11b/g/n 2.4 GHz
Rated Voltage	14.4 V
Rated Power	40W
Operation Frequency	2400-2483.5 MHz
Maximum Output Power	< 20 dBm

Charging Dock

Model	RCS0
Rated Input	100-240 V ~ 50/60 Hz 0.5 A
Rated Output	19.8 V V 1A

Under normal use of condition, this equipment should be kept a separation distance of at least 20cm between the antenna and the body of the user.

Warranty Conditions

A new product purchased in the Alza.cz sales network is guaranteed for 2 years. If you need repair or other services during the warranty period, contact the product seller directly, you must provide the original proof of purchase with the date of purchase.

The following are considered to be a conflict with the warranty conditions, for which the claimed claim may not be recognized:

- Using the product for any purpose other than that for which the product is intended or failing to follow the instructions for maintenance, operation, and service of the product.
- Damage to the product by a natural disaster, the intervention of an unauthorized person or mechanically through the fault of the buyer (e.g., during transport, cleaning by inappropriate means, etc.).
- Natural wear and aging of consumables or components during use (such as batteries, etc.).
- Exposure to adverse external influences, such as sunlight and other radiation or electromagnetic fields, fluid intrusion, object intrusion, mains overvoltage, electrostatic discharge voltage (including lightning), faulty supply or input voltage and inappropriate polarity of this voltage, chemical processes such as used power supplies, etc.
- If anyone has made modifications, modifications, alterations to the design or adaptation to change or extend the functions of the product compared to the purchased design or use of non-original components.

EU Declaration of Conformity

Identification data of the manufacturer's / importer's authorized representative:

Importer: Alza.cz a.s.

Registered office: Jankovcova 1522/53, Holešovice, 170 00 Prague 7

CIN: 27082440

Subject of the declaration:

Title: Robot Vacuum and Mop

Model / Type: RLS5-BL1

The above product has been tested in accordance with the standard(s) used to demonstrate compliance with the essential requirements laid down in the Directive(s):

Directive No. 2014/53/EU

Directive No. 2011/65/EU as amended 2015/863/EU



WEEE

This product must not be disposed of as normal household waste in accordance with the EU Directive on Waste Electrical and Electronic Equipment (WEEE - 2012/19 / EU). Instead, it shall be returned to the place of purchase or handed over to a public collection point for the recyclable waste. By ensuring this product is disposed of correctly, you will help prevent potential negative consequences for the environment and human health, which could otherwise be caused by inappropriate waste handling of this product. Contact your local authority or the nearest collection point for further details. Improper disposal of this type of waste may result in fines in accordance with national regulations.



Vážený zákazníku,

Děkujeme vám za zakoupení našeho produktu. Před prvním použitím si prosím pečlivě přečtěte následující pokyny a uschovejte si tento návod k použití pro budoucí použití. Zvláštní pozornost věnujte bezpečnostním pokynům. Pokud máte k přístroji jakékoli dotazy nebo připomínky, obraťte se na zákaznickou linku.

✉ www.alza.cz/kontakt

☎ +420 225 340 111

Dovozce Alza.cz a.s., Jankovcova 1522/53, Holešovice, 170 00 Praha 7, www.alza.cz

Bezpečnostní pokyny

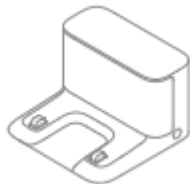
Omezení používání

- Tento výrobek mohou používat děti od 8 let a osoby s tělesnými, smyslovými nebo mentálními nedostatky nebo s omezenými zkušenostmi či znalostmi pod dohledem rodiče nebo opatrovníka, aby se zajistila rozumná obsluha a předešlo se případným rizikům. Čištění a údržbu nesmí provádět děti bez dozoru.
- Děti si s tímto výrobkem nesmí hrát. Zajistěte, aby se děti a domácí zvířata během provozu robota nacházela v bezpečné vzdálenosti.
- Tento výrobek je určen pouze k čištění podlah v domácím prostředí. Nepoužívejte jej venku, na jiných než podlahových plochách ani v komerčním či průmyslovém prostředí.
- Nepoužívejte robota v prostoru zavěšeném nad úroveň země bez ochranné bariéry.
- Nepoužívejte robota při okolní teplotě vyšší než 40 °C nebo nižší než 0 °C nebo na podlaze s kapalinami nebo lepkavými látkami.
- Před použitím robota seberte z podlahy všechny kabely, abyste zabránili jejich tahání při úklidu.
- Odstraňte z podlahy křehké nebo malé předměty, aby do nich robot nenarazil a nepoškodil je.
- Nepřibližujte vlasy, prsty a jiné části těla k sacímu otvoru robota.
- Nástroj na čištění kartáčů uchovávejte mimo dosah dětí.
- Nepokládejte na robota děti, domácí zvířata ani žádné předměty bez ohledu na to, zda je robot v klidu nebo v pohybu.
- Nepoužívejte robota k čištění hořících předmětů.
- Nevysávejte tvrdé nebo ostré předměty.
- Před čištěním nebo údržbou se ujistěte, že je robot vypnutý a nabíjecí dokovací stanice je odpojená.
- Neotírejte žádnou část výrobku mokřým hadříkem nebo tekutinami.
- Tento výrobek používejte v souladu s pokyny uvedenými v návodu k použití.
- Uživatelé nesou odpovědnost za případné ztráty nebo škody vzniklé nesprávným používáním tohoto výrobku.

Baterie a nabíjení

- Nepoužívejte baterie, nabíječky ani nabíjecí doky jiných výrobců. Používejte pouze s napájecí jednotkou RCS0.
- Nepokoušejte se sami rozebírat, opravovat nebo upravovat baterii nebo nabíjecí dok.
- Nevyměňujte nabíjecí dok v blízkosti zdroje tepla.
- K otírání nebo čištění nabíjecích kontaktů dokovací stanice nepoužívejte mokrý hadřík ani mokré ruce.
- Nevyhazujte staré baterie nesprávným způsobem. Nepotřebné baterie by měly být zlikvidovány v příslušném recyklačním zařízení.
- Pokud se napájecí kabel poškodí nebo zlomí, okamžitě jej přestaňte používat a kontaktujte poprodejní servis.
- Ujistěte se, že je robot při přepravě vypnutý a pokud možno uložený v původním obalu.
- Pokud nebudete robota delší dobu používat, plně jej nabijte, vypněte a uložte na chladném a suchém místě. Robota dobíjejte alespoň jednou za 3 měsíce, aby nedošlo k nadměrnému vybití baterie.
- Tento výrobek obsahuje baterie, které mohou být vyměněny pouze kvalifikovanými technikami nebo poprodejním servisem.

Přehled produktů



Nabíjecí dok



Nástroj na čištění



Napájecí kabel



Nádrž na vodu



Podložka pod mop

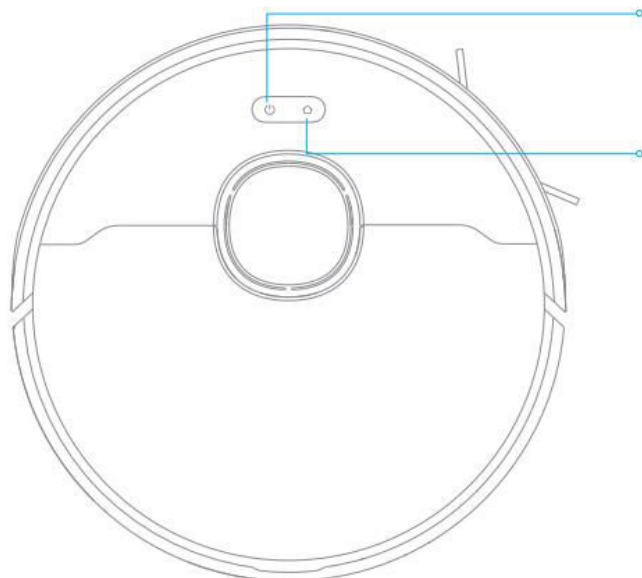


Boční kartáč

Poznámka: Obrázky v této příručce jsou pouze orientační. Podívejte se prosím na skutečný výrobek.

Přehled produktů

Robot



Tlačítko napájení/čištění

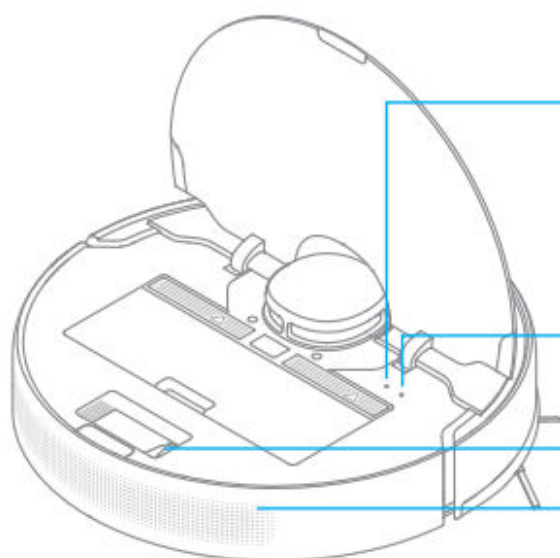
- Stisknutím tlačítka odešlete robota zpět do nabíjecího doku.
- Stisknutím a podržením po dobu 3 sekund spustíte režim bodového čištění.

Tlačítko doku/tlačítko bodového čištění

- Stisknutím tlačítka odešlete robota zpět do nabíjecího doku.
- Stisknutím a podržením po dobu 3 sekund spustíte režim bodového čištění.

Indikátor stavu

- Bílá: Čištění / Úklid je dokončen / Nabíjení je dokončeno
- Bliká bíle: Návrat do doku pro nabití při nízké baterii
- Dýchání bíle: Vysavač se nabíjí, pokud není baterie vybitá.
- Bliká oranžově: Návrat do doku pro nabíjení, když je energie baterie nízká / chyba
- Dýchání oranžově: Vysavač se nabíjí, když je baterie slabá.



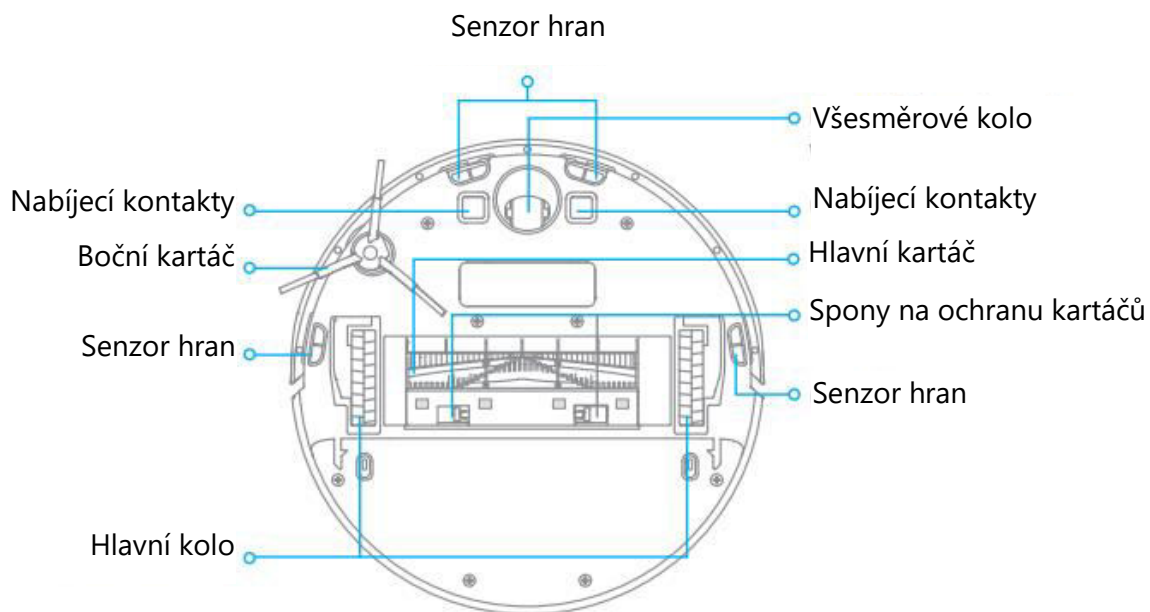
Tlačítko Reset

- Stisknutím a podržením po dobu 3 sekund obnovíte tovární nastavení robota.

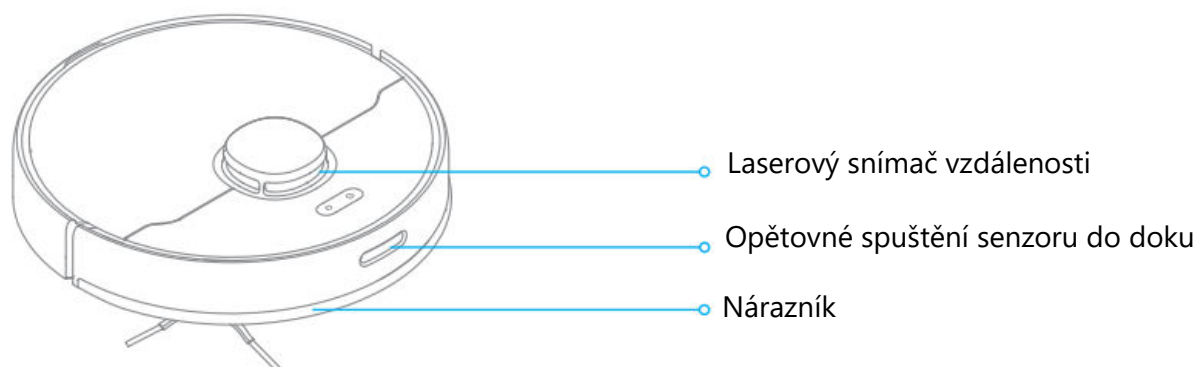
Indikátor Wi-Fi

Nástroj na čištění

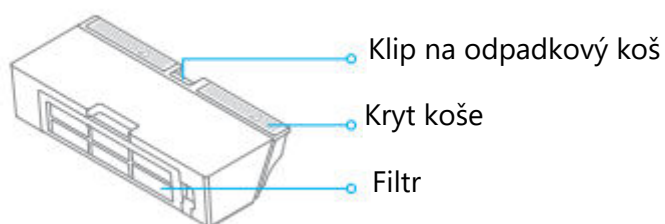
Výstup vzduchu / reproduktor



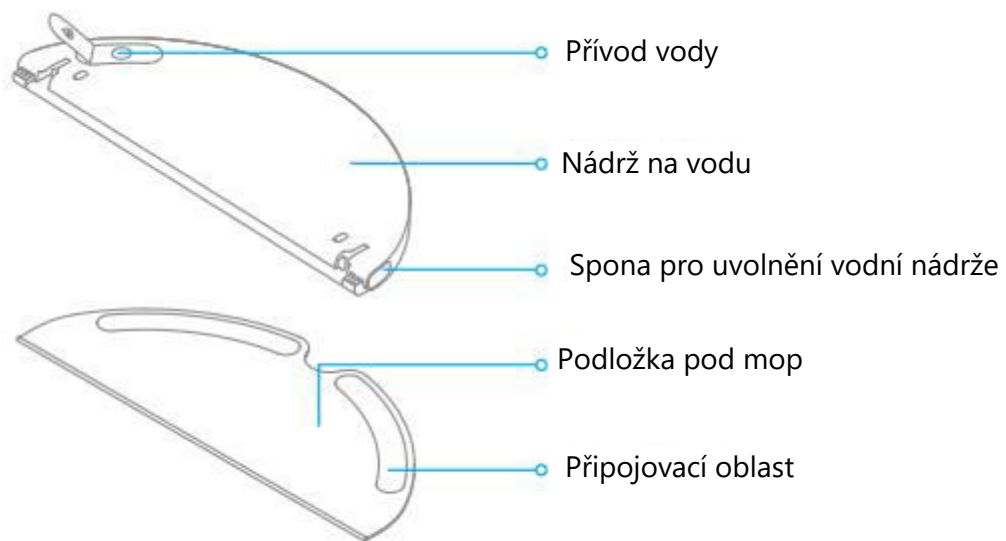
Senzory robota



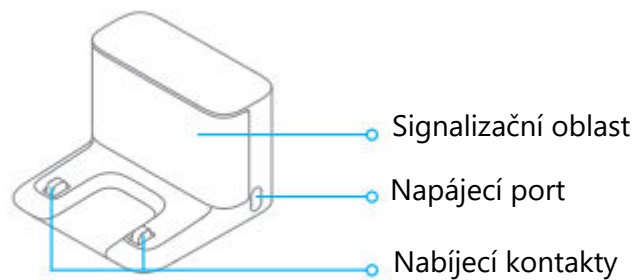
Zásobník na prach



Modul mopování



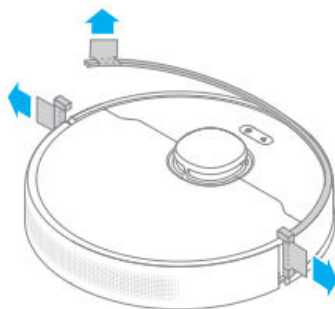
Nabíjecí dok



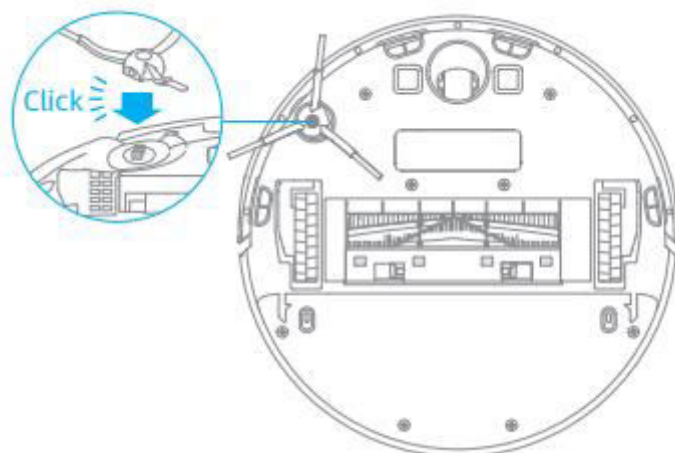
Příprava před použitím

Odstraňte ochrannou fólii

Odstraňte ochranné fólie na robotu.

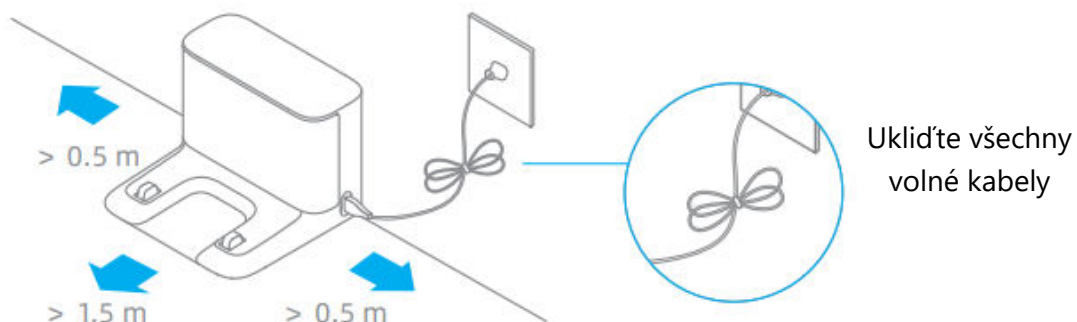


Instalace bočního kartáče



Poznámka: Nasadíte boční kartáček, dokud nezapadne na místo.

Umístěte nabíjecí dokovací stanici na rovnou plochu u zdi a připojte ji do elektrické zásuvky.



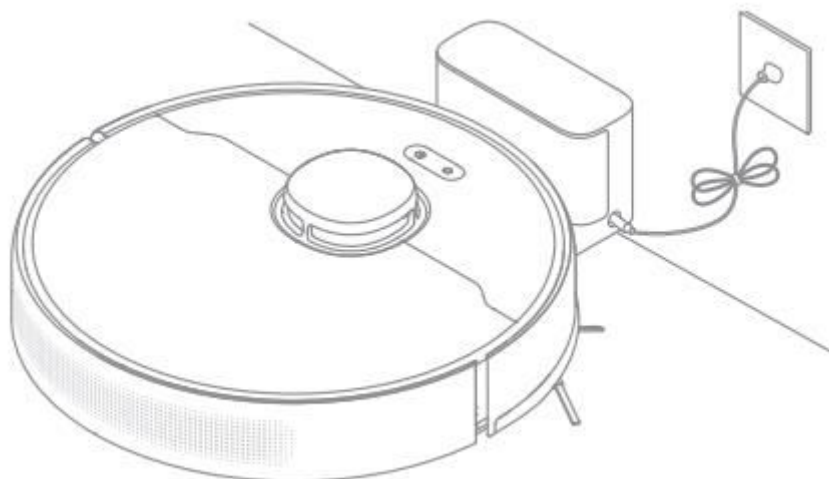
Poznámka:

- Udržujte bezprostřední prostor 1,5 m před nabíječkou a 0,5 m po obou stranách nabíjecího doku volný od předmětů.
- Abyste se mohli k robotu dobře připojit pomocí telefonu, ujistěte se, že robot a nabíjecí dokovací stanice jsou v dosahu Wi-Fi.
- Neumísťujte nabíjecí dok na místo, kde je přímé sluneční světlo nebo kde by jiné předměty mohly blokovat signál, protože by to mohlo bránit návratu robota do nabíjecího doku.

Umístěte robota do nabíjecího doku a dobijte jej. Robot se automaticky zapne a začne se dobíjet.

 Indikátor stavu nabití baterie

- Bílá: Úroveň nabití baterie je vyšší než 15 %.
- Oranžová: Úroveň nabití baterie je nižší než 15 %.



Poznámka:

- Před prvním použitím robota plně nabijte.
- Neinstalujte mopovací modul během nabíjení. Buďte obzvláště opatrní při práci s mokrým mopem, protože může dojít k poškození podlahy.

Připojení k aplikaci Mi Home/Xiaomi Home

Tento produkt spolupracuje s aplikací Mi Home/Xiaomi Home. Aplikace Mi Home/Xiaomi slouží k ovládání zařízení a k interakci s dalšími zařízeními chytré domácnosti.

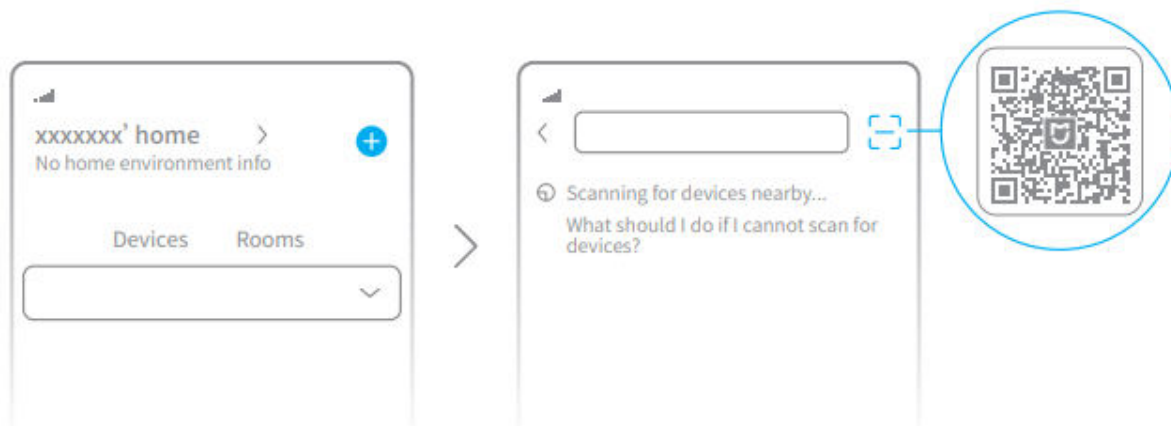
Stáhněte si aplikaci Mi Home/Xiaomi Home

Stáhněte a nainstalujte aplikaci naskenováním kódu QR. Pokud již byla aplikace nainstalována, budete přesměrováni na stránku nastavení připojení. Případně vyhledejte v obchodě s aplikacemi položku "Mi Home/Xiaomi Home" a stáhněte a nainstalujte ji.



Přidat zařízení



Otevřete aplikaci Mi Home/Xiaomi Home a klepněte na položku "+" v pravém horním rohu. Poté klepněte na "QR" v pravém horním rohu, naskenujte QR kód, přidejte "Dreame Bot D9 Max" a podle pokynů dokončete připojení.

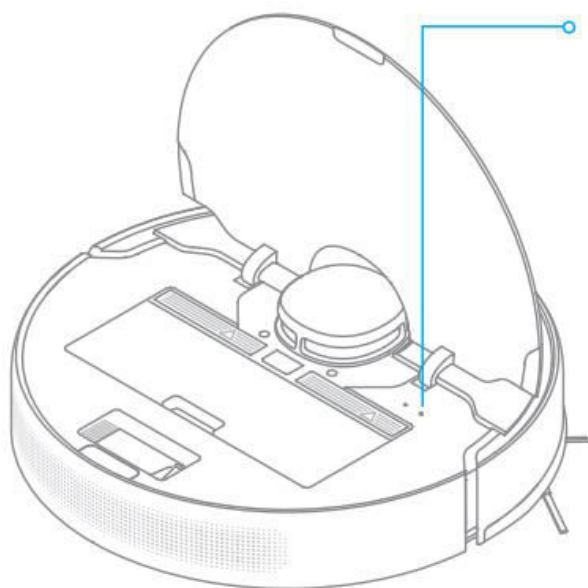


Poznámka:

- Podporována je pouze 2,4 GHz Wi-Fi.
- Verze aplikace mohla být aktualizována. Postupujte podle pokynů podle aktuální verze aplikace.

Resetování Wi-Fi

Současně stiskněte a podržte tlačítka  a , dokud neuslyšíte hlasovou zprávu "Waiting for the network configuration" (Čeká se na konfiguraci sítě). Jakmile indikátor Wi-Fi začne pomalu blikat, Wi-Fi byla úspěšně resetována.





- **Indikátor Wi-Fi**
Bliká pomalu: Čeká na připojení
Bliká rychle: Připojování
Svíí: připojeno k Wi-Fi


Poznámka: Pokud se robot nemůže úspěšně připojit k aplikaci, resetujte Wi-Fi a přidejte zařízení znovu.

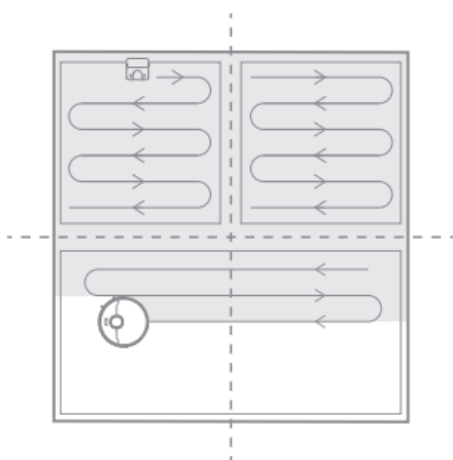
Jak používat

Zapnutí/vypnutí

Robota zapnete stisknutím a podržením tlačítka  po dobu 3 sekund. Jakmile se indikátor napájení změní na trvale bílý, robot je v pohotovostním režimu. Chcete-li robota vypnout, stiskněte a podržte tlačítko  po dobu 3 sekund, když se robot nepohybuje. Vypnutím robota se ukončí aktuální úklidová úloha.

Zahájení čištění

Krátkým stisknutím tlačítka  robota zapnete. Po aktivaci robot přesně vytyčí trasu, metodicky uklidí podél okrajů a stěn a poté dokončí úklid každé místnosti ve tvaru písmene S, aby zajistil důkladnou práci.



Poznámka: Pokud je baterie příliš vybitá, robot se automaticky vrátí do doku a nabije se. Po nabití baterie na potřebnou úroveň bude pokračovat v nedokončených úklidových úkolech. (Funkce nepřetržitého úklidu s bodem přerušení musí být v aplikaci předem povolena.)

Režim čištění

Dreame Bot D9 Max má čtyři režimy čištění: Tichý, Standardní, Silný a Turbo. Výchozí režim je Standardní. Režim čištění můžete určit v aplikaci Mi Home/Xiaomi Home.

Režim pozastavení/spánku

Pauza: Stisknutím libovolného tlačítka můžete robota během úklidu pozastavit.

Režim spánku: Po 10 minutách nečinnosti robot automaticky přejde do režimu spánku, poté zhasnou indikátory napájení a nabíjení. Chcete-li robota probudit, stiskněte libovolné tlačítko.

Poznámka:

- Pokud robot zůstane v režimu spánku déle než 12 hodin, automaticky se vypne.
- Když je robot zastaven, jeho položením na nabíjecí dok se ukončí aktuální úklid.


Režim Nerušit

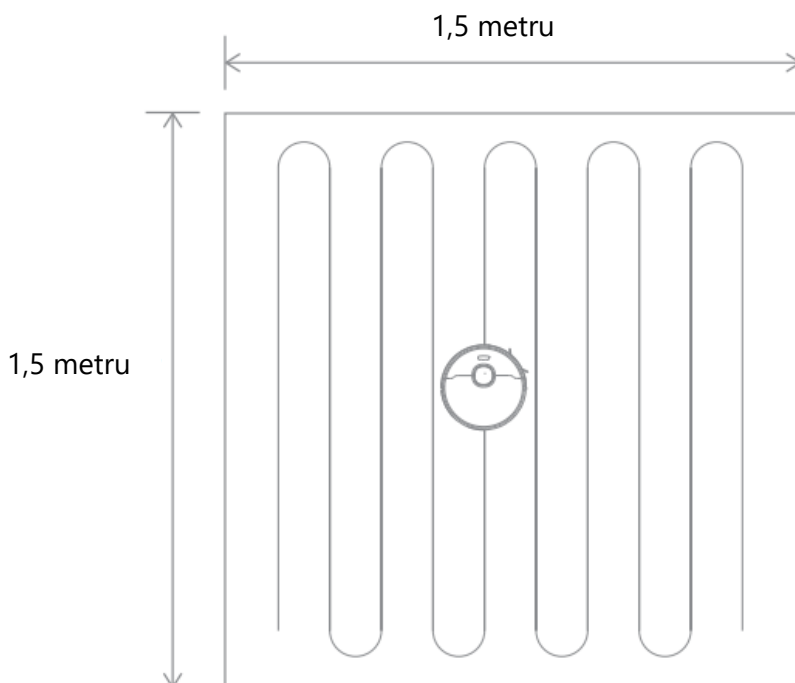
Režim Nerušit zabrání robotu v automatickém spuštění úklidu a indikátor napájení zůstane vypnutý. Režim Nerušit můžete zapnout nebo upravit jeho hodiny v aplikaci. (Režim je ve výchozím nastavení zapnutý od 22:00 do 8:00).

Poznámka:

- Plánované úklidové úkoly budou prováděny i během režimu DND (Nerušit).
- Robot bude pokračovat v úklidu i po uplynutí doby DND.

Režim bodového čištění

Když je robot zastavený nebo v pohotovostním režimu, stiskněte a podržte tlačítko  po dobu 3 sekund, čímž spustíte režim bodového čištění. V tomto režimu vyčistí oblast ve tvaru čtverce o rozměrech 1,5 x 1,5 metru přímo kolem robota. Po dokončení bodového úklidu se robot automaticky vrátí na původní místo a vypne se.



Poznámka: Aktivací režimu bodového čištění se ukončí aktuální úklidová úloha robota.

Plánované čištění

Čas úklidu můžete naplánovat v aplikaci Mi Home/Xiaomi Home. Robot automaticky zahájí úklid v určený čas a po skončení úklidu se vrátí do nabíjecího doku, aby se dobil.

Další funkce aplikace

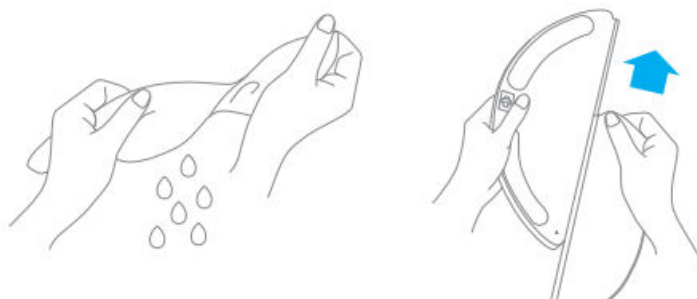
Chcete-li používat další funkce, postupujte podle pokynů v rozhraní aplikace.

Verze aplikace mohla být aktualizována; postupujte podle pokynů v aktuální verzi aplikace.

Použití funkce mopování

Pro dosažení lepšího čistícího účinku se doporučuje všechny podlahy před prvním mopováním alespoň třikrát vysát.


1. Navlhčete mopovací podložku a odvádějte přebytečnou vodu. Boční podložku zasuňte až do drážky nádrže na vodu, dokud nebude pevně na svém místě.

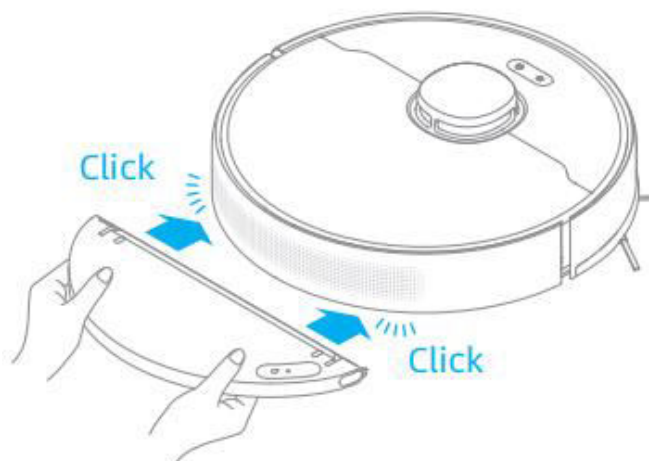


2. Otevřete víko nádrže na vodu, naplňte nádrž vodou a pak víko bezpečně zavřete.



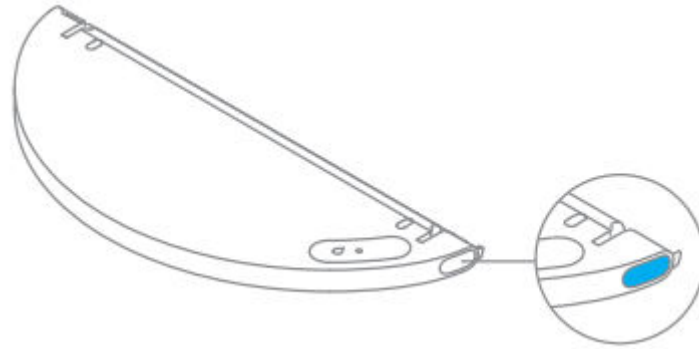
Poznámka: Nepoužívejte čisticí ani dezinfekční prostředky.

3. Vyrovnajte mopovací modul podle šipky a zasuňte jej do zadní části robota, dokud nezapadne na místo. Stisknutím tlačítka  nebo pomocí aplikace Mi Home/Xiaomi Home spustíte úklid.



Poznámka:

- Nedoporučuje se používat funkci mopování na kobercích.
 - Pomocí aplikace můžete vodu upravit podle potřeby.
4. Stiskněte obě boční svorky směrem dovnitř a posuňte nádržku na vodu dozadu, abyste ji oddělili od robota.

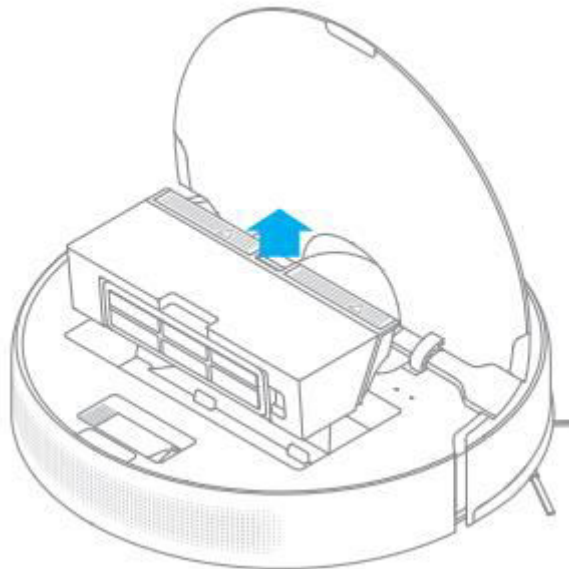


Poznámka: Pokud se robot nabíjí nebo se nepoužívá, vyjměte mopovací modul, vylijte všechnu zbývající vodu z nádržky a vyčistěte mopovací podložku, abyste zabránili vzniku plísní nebo zápachu.

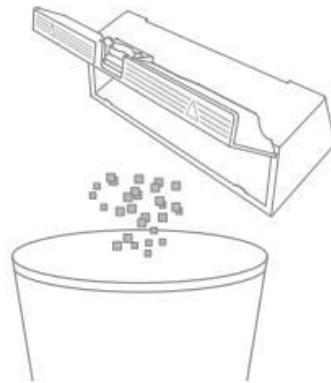
Běžná údržba

Vyčistěte prachový koš a filtr

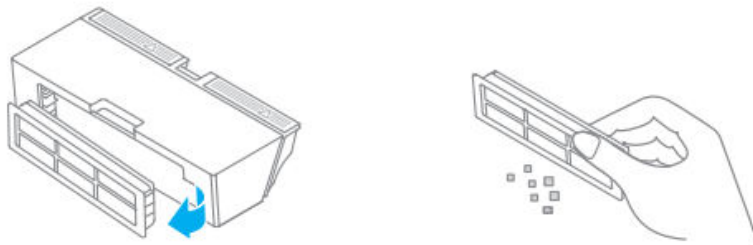
1. Otevřete kryt robota a poté stisknutím spony zásobníku na prach vyjměte zásobník na prach.



2. Otevřete kryt zásobníku na prach podle obrázku.

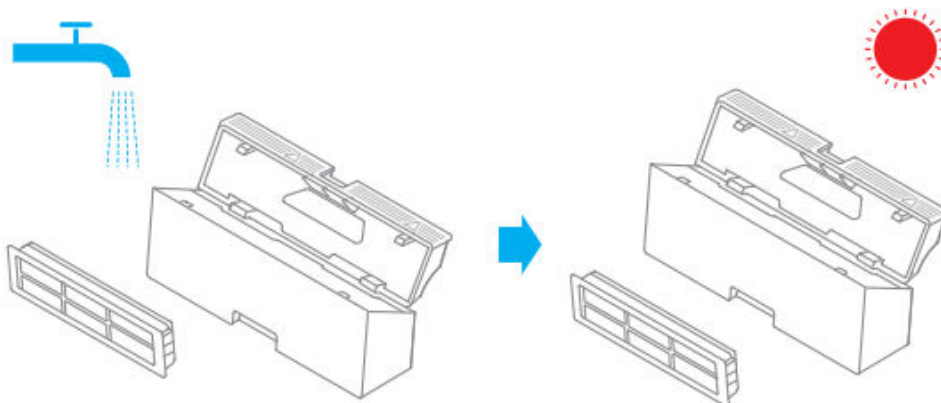


3. Vyjměte filtr a jemně poklepejte na jeho koš.



Poznámka: Nepokoušejte se čistit filtr kartáčem nebo prstem.

4. Opláchněte zásobník na prach a filtr vodou, dokud nejsou čisté. Před opětovnou instalací filtr důkladně vysušte.

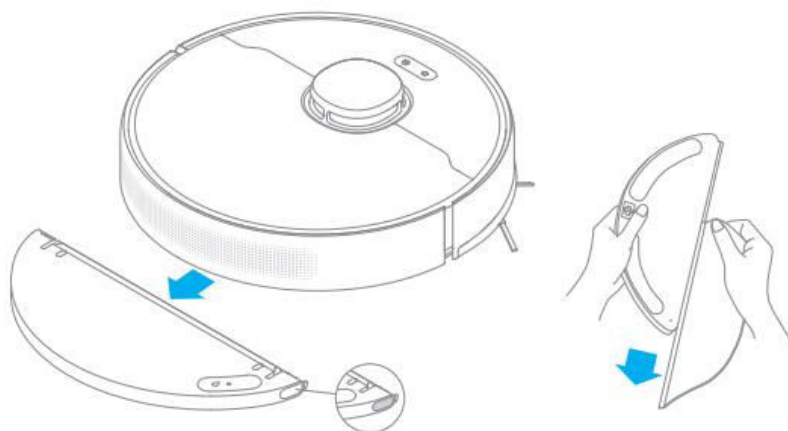


Poznámka:

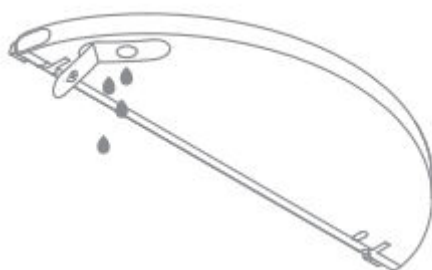
- K čištění filtru používejte pouze čistou vodu. Nepoužívejte čisticí prostředky.
- Uchovávejte ji na dobře větraném nebo chladném místě.

Čištění mopovacího modulu

1. Stiskněte dvě uvolňovací svorky na boku nádržky na vodu, vyjměte mopovací modul a vytáhněte mopovací podložku z mopovacího modulu.

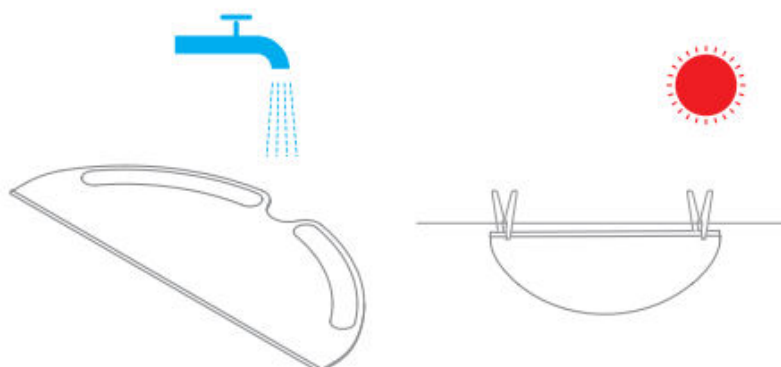


2. Vylijte vodu z nádrže. Před opětovnou instalací nádrž vyčistěte pouze vodou a nechte ji vyschnout.



Poznámka: Nádrž nevystavujte přímému slunci.

3. Před opětovnou instalací vyčistěte podložku mopy pouze vodou a nechte ji uschnout.



Poznámka:

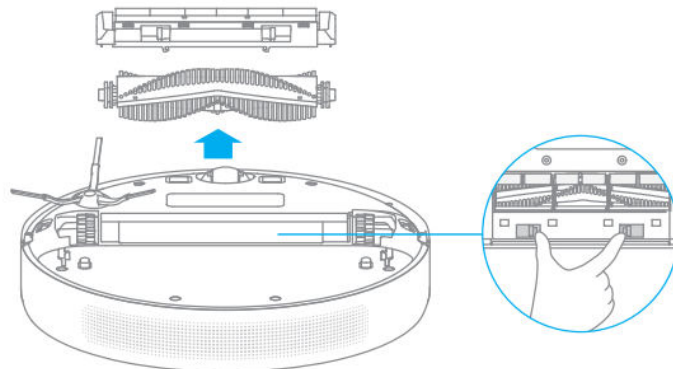
- Před čištěním vyjměte podložku z mopovacího modulu a ujistěte se, že špinavá voda neproudí zpět do vývodu vody, aby nedošlo k jejímu ucpání.
- Pro optimální výkon se doporučuje vyměnit podložku mopy každých 3 až 6 měsíců.

4. Pokud dochází k pomalému průtoku vody nebo není objem dobře rozdělen, vyčistěte vzduchový otvor v krytu nádržky na vodu.

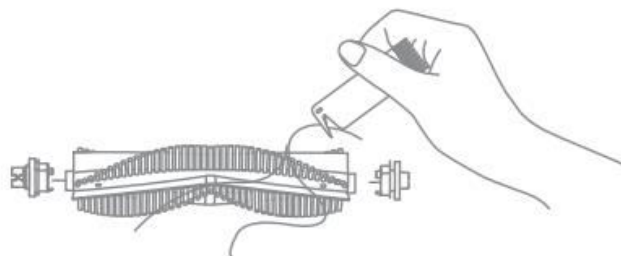


Čištění hlavního kartáče

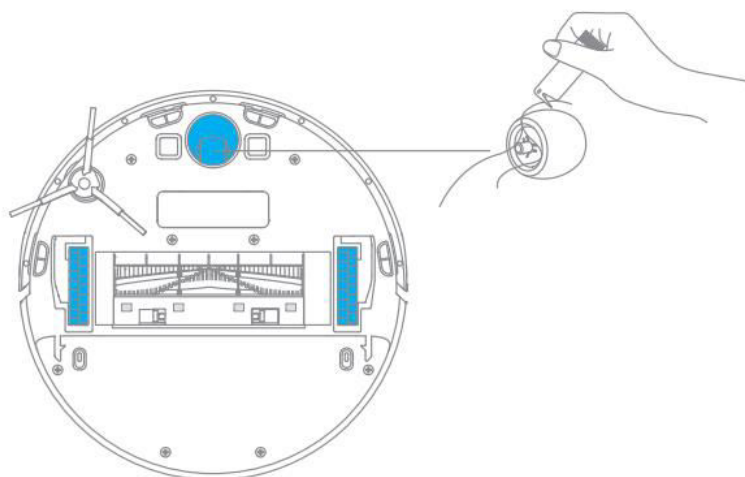
Stisknutím klipů krytu kartáče směrem dovnitř sejměte kryt kartáče a vyjměte kartáč z robota.



Vytáhněte kryt kartáče podle obrázku. Pomocí přiloženého čistícího nástroje odstraňte všechny vlasy zamotané v kartáči.



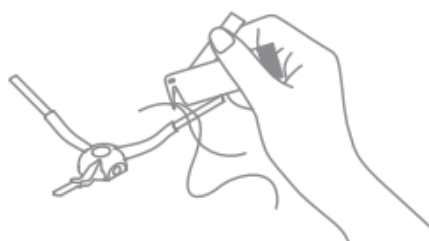
Čištění hlavního kola / všesměrového kola



Poznámka: K oddělení nápravy a pneumatiky použijte nástroj, například malý šroubovák.

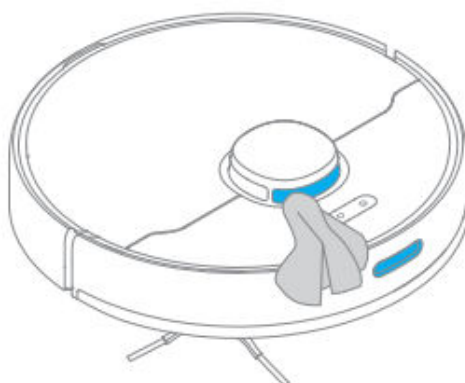
Čištění bočního kartáče

Vytáhněte boční kartáč a pomocí přiloženého čistícího nástroje odstraňte všechny vlasy zamotané na kartáči.


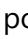


Poznámka: Mokrý hadříky mohou poškodit citlivé prvky robota a nabíjecího doku. K čištění používejte suché hadříky.

Čištění laserového snímače vzdálenosti / snímače návratu do doku



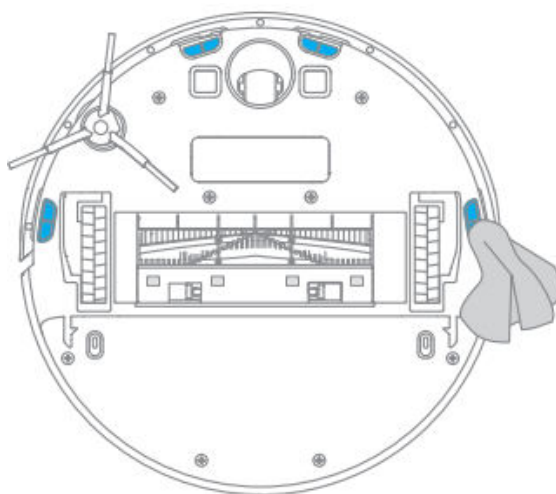
Restartování robota

Pokud robot přestane reagovat nebo jej nelze vypnout, stiskněte a podržte tlačítko  po dobu 10 sekund, abyste jej násilně vypnuli. Poté stisknutím a podržením tlačítka  po dobu 3 sekund robota zapněte.

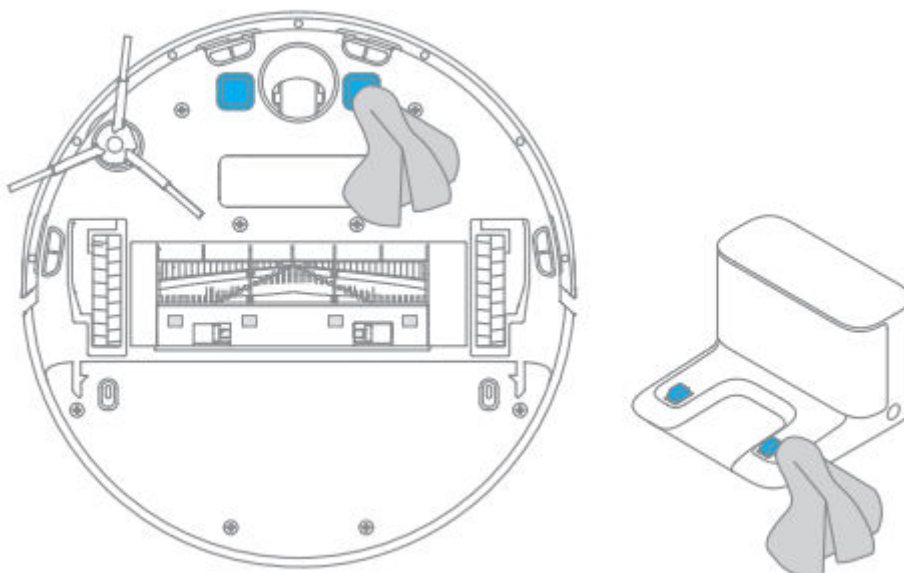
Baterie

Robot obsahuje vysoce výkonnou lithium-iontovou baterii. Dbejte na to, aby byl při každodenním používání dobře nabitý, aby byl zachován optimální výkon baterie. Pokud robot delší dobu nepoužíváte, vypněte jej a uložte. Aby nedošlo k poškození v důsledku nadměrného vybití, měl by být robot dobíjen alespoň jednou za tři měsíce.

Vyčistěte snímač hran



Vyčistěte nabíjecí kontakt



ČASTO KLADENÉ DOTAZY

Typ problému	Řešení
Robot se nezapne	Úroveň nabití baterie je nízká. Nabijte robota v nabíjecím doku a zkuste to znovu. Okolní teplota je příliš nízká (pod 0 °C) nebo příliš vysoká (nad 40 °C) Provozní teplota robota je 0 °C až 40 °C.
Robot se nemůže dobít	Nabíjecí dokovací stanice nepřijímá napájení. Zkontrolujte, zda jsou oba konce napájecího kabelu správně zapojeny. Špatný kontakt. Vyčistěte nabíjecí kontakty nabíjecí dokovací stanice a robota.
Robot se nemůže vrátit do nabíjecího doku	V okolí nabíjecího doku je příliš mnoho překážek. Umístěte nabíjecí stanici na volnější místo. Vyčistěte signalizační prostor dokovací stanice.
Robot je nefunkční	Vypněte robota a poté jej znovu aktivujte.
Robot vydává podivný zvuk	Cizí předmět se může zachytit v hlavním kartáči, bočním kartáči nebo v jednom z hlavních kol. Zastavte robota a odstraňte případné nečistoty.
Robot již nečistí efektivně nebo za sebou zanechává prach	Odpadkový koš je plný. Prosím, vyčistěte jej. Filtr je ucpaný. Vyčistěte jej. V kartáči se zachytil cizí předmět. Vyčistěte jej, prosím.
Robot se nemůže připojit k síti Wi-Fi	S připojením Wi-Fi není něco v pořádku. Resetujte Wi-Fi a stáhněte si nejnovější verzi aplikace Mi Home/Xiaomi Home a zkuste se znovu připojit. Oprávnění k poloze není otevřeno. Zkontrolujte, zda je povoleno oprávnění k určování polohy v aplikaci Mi Home/Xiaomi Home. Signál Wi-Fi je slabý. Zkontrolujte, zda se robot nachází v oblasti s dobrým pokrytím Wi-Fi. Není podporována 5 GHz Wi-Fi. Ujistěte se, že se robot připojuje k 2,4 GHz Wi-Fi. Uživatelské jméno nebo heslo Wi-Fi je nesprávné. Zadejte správné uživatelské jméno a heslo.
Robot neprovádí plánované čištění	Robot má vybitou baterii. Plánovaný úklid se nespustí, pokud robot nebyl včas dobit.
Spotřebovává robot při ponechání v nabíjecím doku energii, pokud je již plně nabitý?	Ponechání robota v nabíjecím doku po jeho úplném nabití spotřebovává jen velmi málo elektřiny a pomáhá udržovat optimální výkon baterie.
Z mopovacího modulu nevytéká žádná voda nebo vytéká jen malé množství	Zkontrolujte, zda je nádržka na vodu naplněna vodou, a v případě potřeby vyčistěte podložku mpu. Pokud se mop znečistí, vyčistěte jej. Zkontrolujte, zda je podložka mpu správně nainstalována podle návodu k použití. Vyčistěte vyfukovací otvor v horní části nádržky na

	vodu.
Robot po nabití nepokračuje v úklidu	Ujistěte se, že robot není nastaven do režimu Nerušit, který mu zabrání v pokračování v úklidu. Robot nepokračuje v úklidu, pokud je ručně dobíjen nebo umístěn na základnu.
Robot se po přemístění nevrátí do nabíjecího doku	Pohyb robota může způsobit změnu jeho polohy nebo změnu mapy okolí. Pokud je robot příliš daleko od nabíjecího doku, může se stát, že se sám automaticky vrátí, v takovém případě je třeba robota na nabíjecí dok umístit ručně.

Specifikace

Robot

Model	RLS5-BL1
Baterie	5200 mAh (jmenovitá kapacita baterie)
Doba nabíjení	Přibližně 6 hodin
Bezdrátové připojení	Wi-Fi IEEE 802.11b/g/n 2,4 GHz
Jmenovité napětí	14,4 V _{DC}
Jmenovitý výkon	40 W
Provozní frekvence	2400-2483,5 MHz
Maximální výstupní výkon	< 20 dBm

Nabíjecí dok

Model	RCS0
Jmenovitý příkon	100-240 V ~ 50/60 Hz 0,5 A
Jmenovitý výkon	19,8 V _{DC} 1 A

Při běžném používání tohoto zařízení by měla být vzdálenost mezi anténou a tělem uživatele nejméně 20 cm.

Záruční podmínky

Na nový výrobek zakoupený v prodejní síti Alza.cz se vztahuje záruka 2 roky. V případě potřeby opravy nebo jiného servisu v záruční době se obraťte přímo na prodejce výrobku, je nutné předložit originální doklad o koupi s datem nákupu.

Za rozpor se záručními podmínkami, pro který nelze reklamaci uznat, se považují následující skutečnosti:

- Používání výrobku k jinému účelu, než pro který je výrobek určen, nebo nedodržování pokynů pro údržbu, provoz a servis výrobku.
- Poškození výrobku živelnou pohromou, zásahem neoprávněné osoby nebo mechanicky vinou kupujícího (např. při přepravě, čištění nevhodnými prostředky apod.).
- Přirozené opotřebení a stárnutí spotřebního materiálu nebo součástí během používání (např. baterií atd.).
- Působení nepříznivých vnějších vlivů, jako je sluneční záření a jiné záření nebo elektromagnetické pole, vniknutí kapaliny, vniknutí předmětu, přepětí v síti, elektrostatický výboj (včetně blesku), vadné napájecí nebo vstupní napětí a nevhodná polarita tohoto napětí, chemické procesy, např. použité zdroje atd.
- Pokud někdo provedl úpravy, modifikace, změny konstrukce nebo adaptace za účelem změny nebo rozšíření funkcí výrobku oproti zakoupené konstrukci nebo použití neoriginálních součástí.

EU prohlášení o shodě

Identifikační údaje zplnomocněného zástupce výrobce/dovozce:

Dovozce: Alza.cz a.s.

Sídlo společnosti: Jankovcova 1522/53, Holešovice, 170 00 Praha 7.

IČO: 27082440

Předmět prohlášení:

Název: Robotický vysavač a mop

Model / typ: RLS5-BL1

Výše uvedený výrobek byl testován v souladu s normou (normami) použitou (použitými) k prokázání shody se základními požadavky stanovenými ve směrnici (směrnících):

Směrnice č. 2014/53/EU

Směrnice č. 2011/65/EU ve znění 2015/863/EU



WEEE

Tento výrobek nesmí být likvidován jako běžný domovní odpad v souladu se směrnicí EU o odpadních elektrických a elektronických zařízeních (WEEE - 2012/19/EU). Místo toho musí být vrácen na místo nákupu nebo předán na veřejné sběrné místo recyklovatelného odpadu. Tím, že zajistíte správnou likvidaci tohoto výrobku, pomůžete předejít možným negativním důsledkům pro životní prostředí a lidské zdraví, které by jinak mohly být způsobeny nevhodným nakládáním s odpadem z tohoto výrobku. Další informace získáte na místním úřadě nebo na nejbližším sběrném místě. Nesprávná likvidace tohoto typu odpadu může mít za následek pokuty v souladu s vnitrostátními předpisy.



Vážený zákazník,

ďakujeme vám za zakúpenie nášho výrobku. Pred prvým použitím si pozorne prečítajte nasledujúce pokyny a uschovajte si tento návod na použitie. Venujte osobitnú pozornosť bezpečnostným pokynom. Ak máte akékoľvek otázky alebo pripomienky k prístroju, obráťte sa na linku služieb zákazníkom.

✉ www.alza.sk/kontakt

☎ +421 257 101 800

Dovozca Alza.cz a.s., Jankovcova 1522/53, Holešovice, 170 00 Praha 7, www.alza.cz

Bezpečnostné informácie

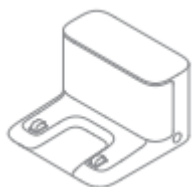
Obmedzenia používania

- Tento výrobok môžu používať deti od 8 rokov a osoby s fyzickými, zmyslovými alebo mentálnymi nedostatkami alebo s obmedzenými skúsenosťami či znalosťami pod dohľadom rodiča alebo opatrovníka, aby sa zabezpečila bezpečná prevádzka a predišlo sa nebezpečenstvu. Čistenie a údržbu nesmú vykonávať deti bez dozoru.
- Deti sa s týmto výrobkom nesmú hrať. Zabezpečte, aby deti a domáce zvieratá boli počas prevádzky robota v bezpečnej vzdialenosti.
- Tento výrobok je určený len na čistenie podláh v domácom prostredí. Nepoužívajte ho vo vonkajšom prostredí, na iných ako podlahových plochách ani v komerčnom alebo priemyselnom prostredí.
- Robota nepoužívajte v priestore zavesenom nad úrovňou zeme bez ochranej bariéry.
- Robota nepoužívajte pri teplotách okolia nad 40° alebo 0 °C ani na podlahách s tekutinami alebo lepkavými látkami.
- Pred použitím robota zdvihnite všetky káble z podlahy, aby ste za ne pri čistení neťahali.
- Odstráňte z podlahy krehké alebo malé predmety, aby do nich robot nenarazil a nepoškodil ich.
- Vlasy, prsty a iné časti tela držte mimo sacieho otvoru robota.
- Udržujte nástroj na čistenie kefky mimo dosahu detí.
- Na robota neumiestňujte deti, domáce zvieratá ani žiadne predmety bez ohľadu na to, či je robot v pokoji alebo v pohybe.
- Robota nepoužívajte na čistenie horiacich predmetov.
- Nevysávajte tvrdé alebo ostré predmety.
- Pred čistením alebo údržbou sa uistite, že je robot vypnutý a nabíjacia dokovacia stanica je odpojená.
- Neutierajte žiadnu časť výrobku mokrou handričkou alebo tekutinami.
- Tento výrobok používajte v súlade s pokynmi uvedenými v návode na použitie. Používatelia sú zodpovední za akúkoľvek stratu alebo poškodenie, ku ktorému dôjde v dôsledku nesprávneho používania tohto výrobku.

Batérie a nabíjanie

- Nepoužívajte batérie, nabíjačky ani nabíjacie doky od iných výrobcov. Používajte iba s napájacou jednotkou RCS0.
- Nepokúšajte sa sami rozoberať, opravovať alebo upravovať batériu alebo nabíjací dok.
- Neumiestňujte nabíjací dok v blízkosti zdroja tepla.
- Na utieranie alebo čistenie nabíjacích kontaktov dokovacej stanice nepoužívajte mokrú handričku ani mokré ruky.
- Staré batérie nelikvidujte nesprávnym spôsobom. Nepotrebné batérie by sa mali zlikvidovať v príslušnom recyklačnom zariadení.
- Ak sa napájací kábel poškodí alebo zlomí, okamžite ho prestaňte používať a kontaktujte popredajný servis.
- Dbajte na to, aby bol robot počas prepravy vypnutý a podľa možnosti uložený v pôvodnom obale.
- Ak nebudete robota dlhší čas používať, úplne ho nabite, potom ho vypnite a uložte na chladnom a suchom mieste. Robota dobíjajte aspoň raz za 3 mesiace, aby ste zabránili nadmernému vybíjaniu batérie.
- Tento výrobok obsahuje batérie, ktoré môžu vymeniť len kvalifikovaní technici alebo popredajný servis.

Prehľad produktov



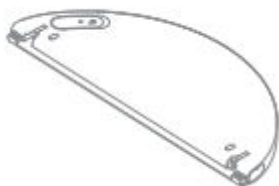
Nabíjací dok



Nástroj na čistenie



Napájací kábel



Nádrž na vodu



Podložka pod mop

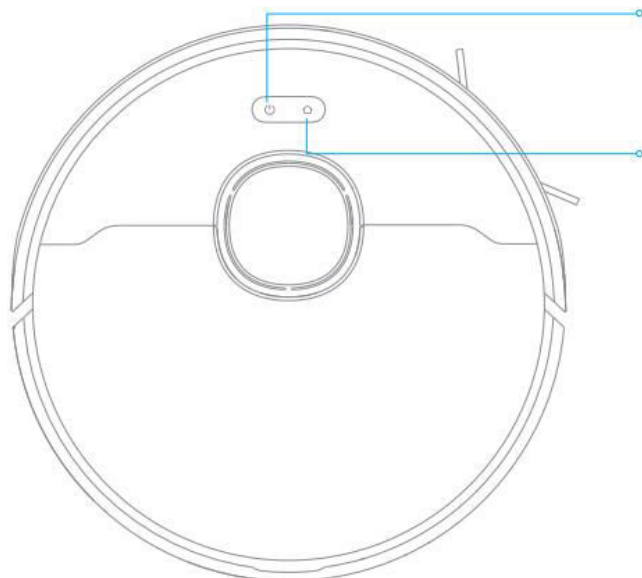


Bočná kefa

Poznámka: Obrázky v tejto príručke slúžia len ako referenčné. Pozrite sa na skutočný výrobok.

Prehľad produktov

Robot



Tlačidlo napájania/čistenia

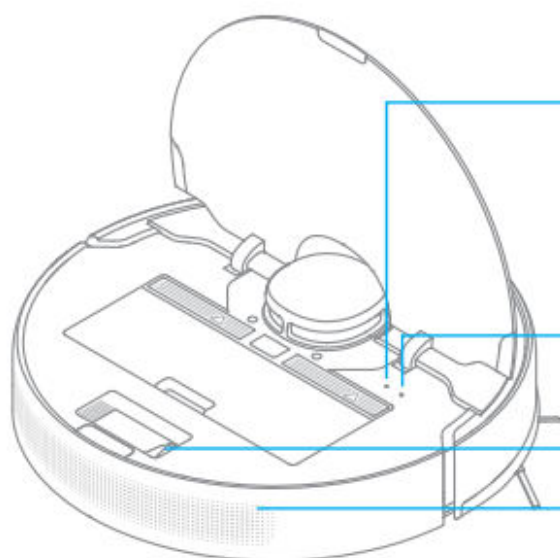
- Stlačením tlačidla pošlite robota späť do nabíjacieho doku.
- Stlačením a podržaním na 3 sekundy spustíte

Tlačidlo doku/čistenia miesta

- Stlačením tlačidla pošlite robota späť do nabíjacieho doku.
- Stlačením a podržaním na 3 sekundy spustíte

Indikátor stavu

- Biela: čistenie/čistenie je dokončené/nabíjanie je dokončené
- Bliká bielo: návrat do doku na nabíjanie bielej batérie nie je vybitá
- Dýchanie bielej farby: vysávač sa nabíja, ak nie je batéria vybitá.
- Bliká na oranžovo: Návrat do nabíjacieho doku, keď je batéria slabá/chyba
- Dýchanie na oranžovo: vysávač sa nabíja, keď je batéria slabá.



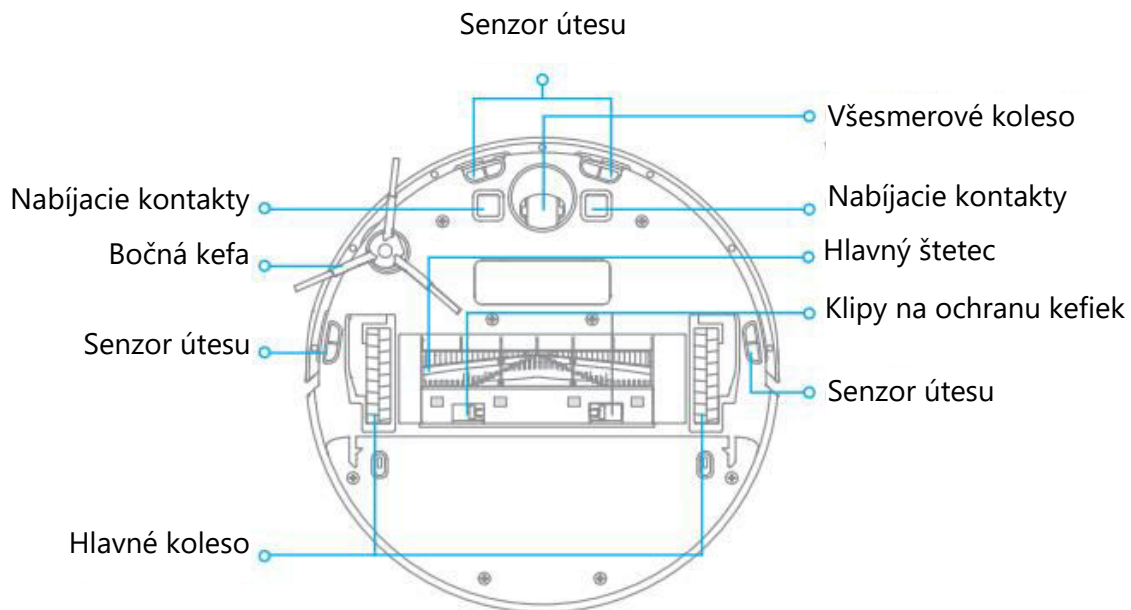
Tlačidlo Reset

- Stlačením a podržaním na 3 sekundy obnovíte výrobné nastavenia robota.

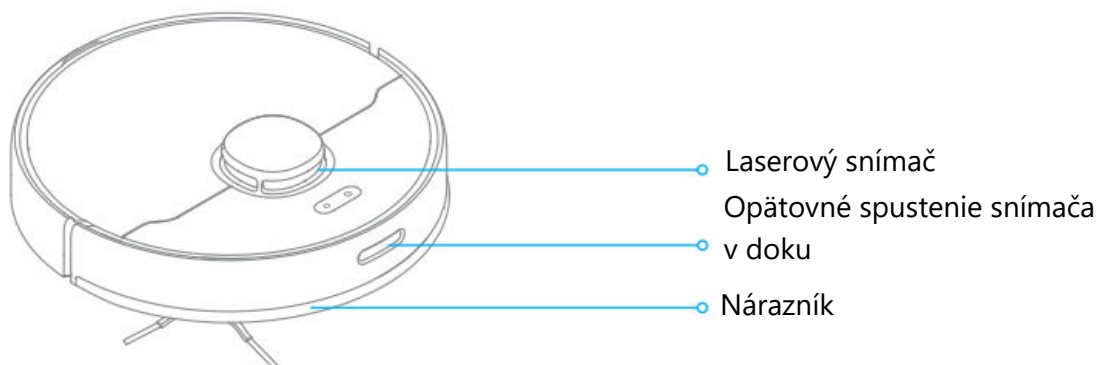
Indikátor Wi-Fi

Nástroj na čistenie

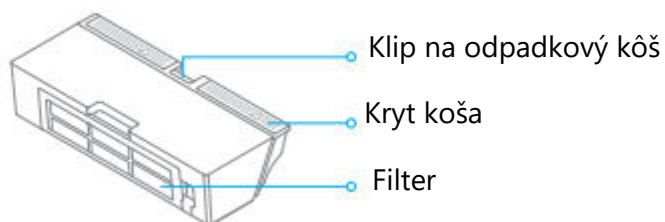
Výstup vzduchu/reproduktor



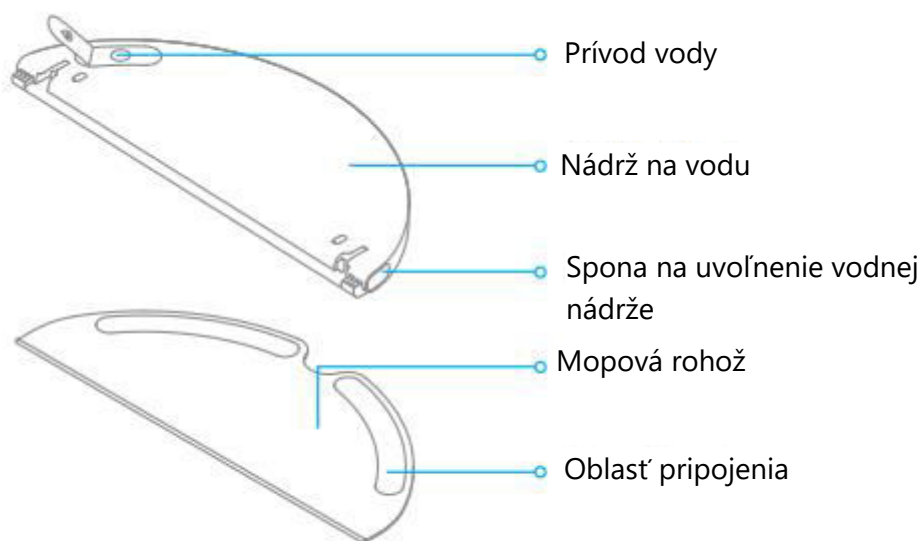
Senzory robota



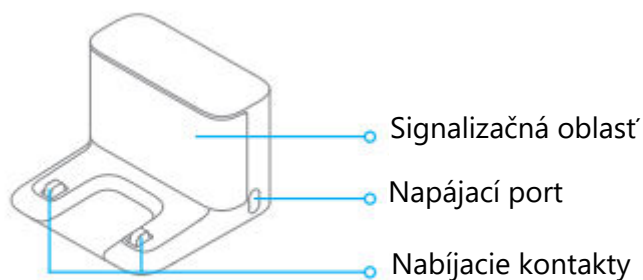
Nádoba na prach



Mopovací modul



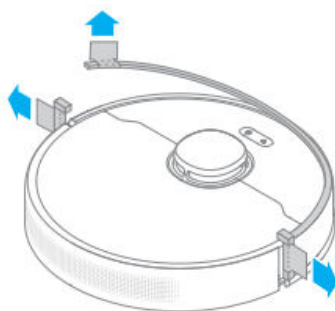
Nabíjací dok



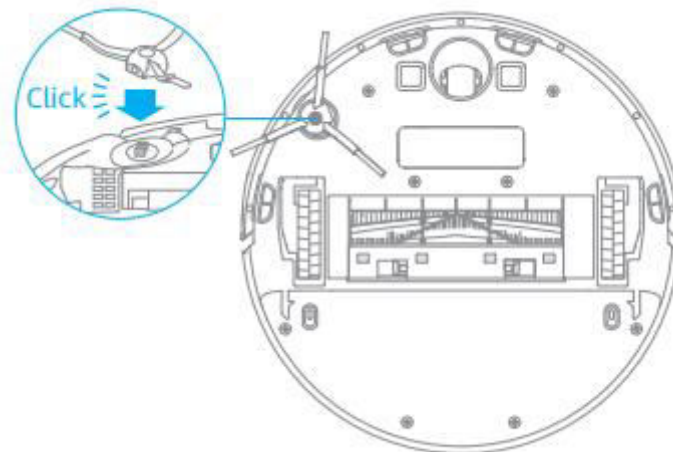
Príprava pred použitím

Odstráňte ochrannú fóliu

Odstráňte ochrannú fóliu na robotovi.

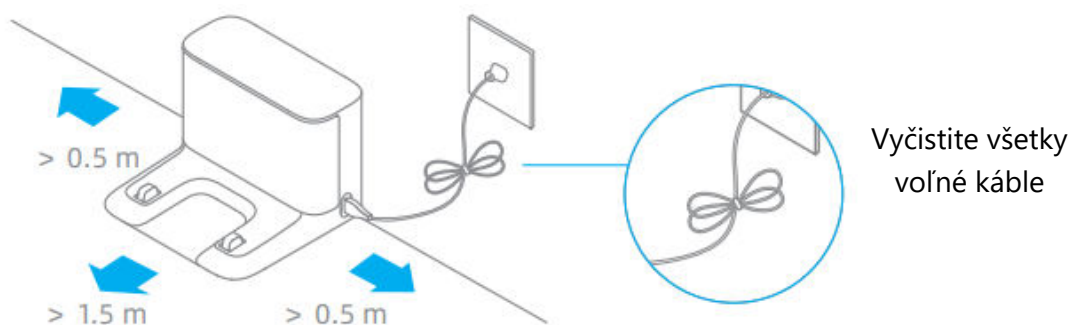


Inštalácia bočnej kefy



Poznámka: Nasadíte bočnú kefu, kým nezapadne na miesto.


Nabíjací dok položte na rovný povrch k stene a zapojte ho do elektrickej zásuvky.



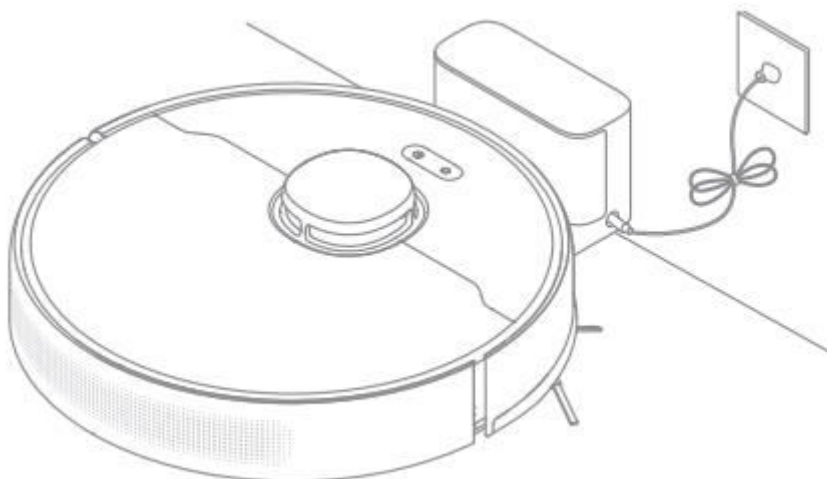
Poznámka:

- Bezprostredný priestor 1,5 m pred nabíjačkou a 0,5 m po oboch stranách nabíjacieho doku udržiavajte bez predmetov.
- Aby ste sa mohli s robotom dobre spojiť pomocou telefónu, uistite sa, že robot a nabíjací dok sú v dosahu Wi-Fi.
- Neumiestňujte nabíjací dok na miesta, kde je priame slnečné svetlo alebo kde by iné predmety mohli blokovať signál, pretože by to mohlo zabrániť návratu robota do nabíjacieho doku.

Umiestnite robota do nabíjacieho doku a dobite ho. Robot sa automaticky zapne a začne sa nabíjať.

 Indikátor nabitia batérie

- Biela: úroveň nabitia batérie je nad 15 %.
- Oranžová: úroveň nabitia batérie je nižšia ako 15 %.



Poznámka:

- Pred prvým použitím robota ho úplne nabite.
- Neinštalujte mopovací modul počas nabíjania. Pri práci s mokrým mopom buďte obzvlášť opatrní, pretože môže dôjsť k poškodeniu podlahy.

Pripojenie k aplikácii Mi Home/Xiaomi Home

Tento produkt funguje s aplikáciou Mi Home/Xiaomi Home. Pomocou aplikácie Mi Home/Xiaomi môžete ovládať svoje zariadenie a komunikovať s inými inteligentnými domácimi zariadeniami.

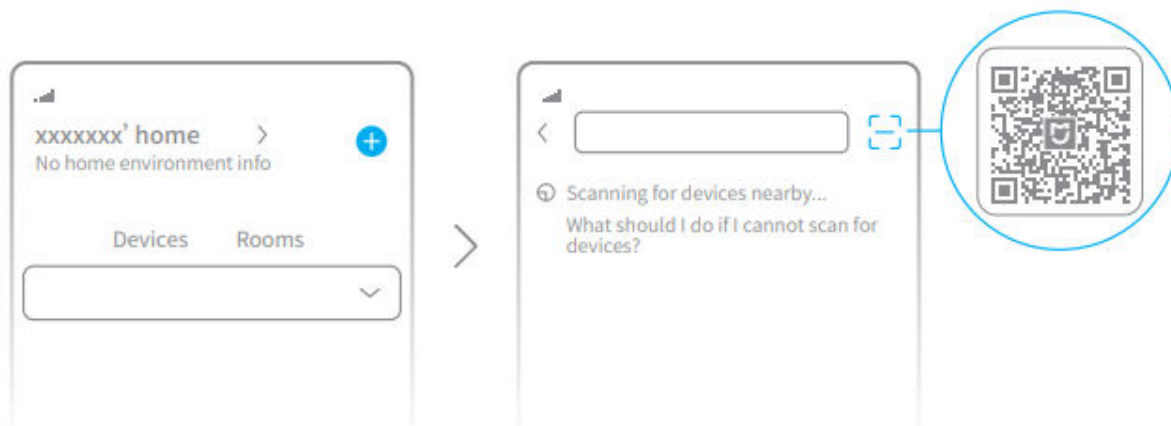
Stiahnutie aplikácie Mi Home/Xiaomi Home

Stiahnite a nainštalujte aplikáciu naskenovaním kódu QR. Ak už bola aplikácia nainštalovaná, budete presmerovaní na stránku s nastaveniami pripojenia. Prípadne vyhľadajte v obchode s aplikáciami položku "Mi Home/Xiaomi Home", stiahnite si ju a nainštalujte.



Pridanie zariadenia

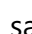

Otvorte aplikáciu Mi Home/Xiaomi Home a ťuknite na položku "+" v pravom hornom rohu. Potom ťuknite na položku "🔍" v pravom hornom rohu, naskenujte QR kód, pridajte "Dreame Bot D9 Max" a podľa pokynov dokončíte pripojenie.

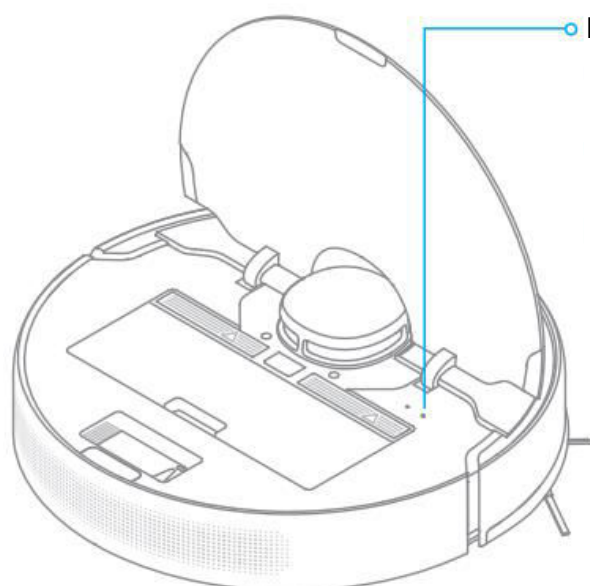


Poznámka:

- Podporované je len 2,4 GHz Wi-Fi.
- Verzia aplikácie mohla byť aktualizovaná. Postupujte podľa pokynov pre aktuálnu verziu aplikácie.

Resetovanie siete Wi-Fi

Súčasne stlačte a podržte tlačidlá  a , kým sa nezvoje hlasová správa "Waiting for the network configuration" (Čkanie na konfiguráciu siete). Keď indikátor Wi-Fi začne pomaly blikať, Wi-Fi bolo úspešne resetované.





- Pomaly bliká:
Pripojenie
- Rýchlo bliká:
Pripojenie
- Ak chcete: pripojiť sa k sieti Wi-Fi


Poznámka: Ak sa systém Android nemôže úspešne pripojiť k aplikácii, resetujte Wi-Fi a pridajte zariadenie znova.

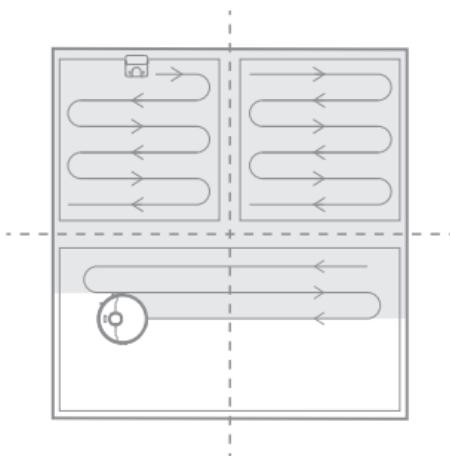
Ako používať

Zapnutie/vypnutie

Ak chcete zapnúť robota, stlačte a podržte tlačidlo  na 3 sekundy. Keď sa indikátor napájania rozsvieti na bielo, robot je v pohotovostnom režime. Ak chcete robota vypnúť, stlačte a podržte tlačidlo  na 3 sekundy, keď sa robot nehýbe. Vypnutím robota sa ukončí aktuálna úloha čistenia.

Začiatok čistenia

Krátkym stlačením tlačidla  zapnete robota. Po aktivácii robot presne vytýči trasu, metodicky čistí pozdĺž okrajov a stien a potom dokončí čistenie každej miestnosti v tvare písmena S, aby sa zabezpečila dôkladná aplikácia.



Poznámka: Ak je batéria príliš vybitá, robot sa automaticky vráti do doku a dobije sa. (Funkcia priebežného čistenia bodov prerušenia musí byť v aplikácii povolená vopred.)

Režim čistenia

Dreame Bot D9 Max má štyri režimy čistenia: tichý, štandardný, silný a turbo. Predvolený režim je Štandardný. Režim čistenia môžete určiť v aplikácii Mi Home/Xiaomi Home.

Režim pozastavenia/spánku

Pozastavenie: stlačením ľubovoľného tlačidla pozastavíte robota počas čistenia.

Režim spánku: Po 10 minútach nečinnosti robot automaticky prejde do režimu spánku, po ktorom zhasnú indikátory napájania a nabíjania. Ak chcete robota prebudiť, stlačte ľubovoľné tlačidlo.

Poznámka:

- Ak robot zostane v režime spánku dlhšie ako 12 hodín, automaticky sa vypne.
- Keď sa robot zastaví, jeho položením na nabíjací dok sa ukončí aktuálne čistenie.


Režim nerušiť

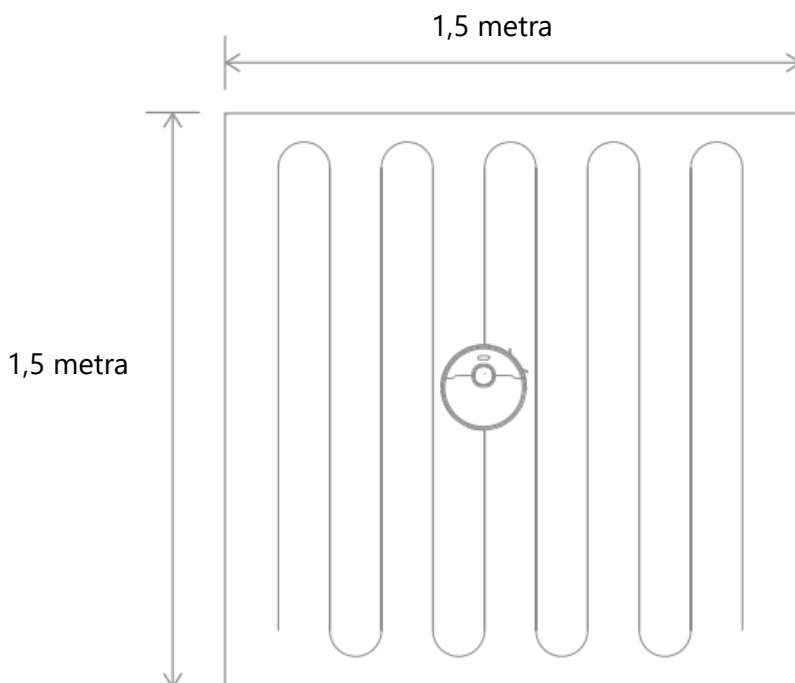
Režim Nerušiť zabraňuje automatickému spusteniu čistenia robota a indikátor napájania zostáva vypnutý. V aplikácii môžete zapnúť režim Nerušiť alebo upraviť jeho hodiny (režim je predvolene zapnutý od 22:00 do 8:00).

Poznámka:

- Plánované úlohy čistenia sa budú vykonávať aj počas obdobia DND.
- Robot bude pokračovať v čistení aj po uplynutí času DND.

Režim bodového čistenia

Keď je robot zastavený alebo v pohotovostnom režime, stlačením a podržaním tlačidla  na 3 sekundy spustíte režim bodového čistenia. V tomto režime čistí štvorcovú plochu 1,5 x 1,5 metra priamo okolo robota. Po dokončení bodového čistenia sa robot automaticky vráti na pôvodné miesto a vypne sa.



Poznámka: Aktivácia režimu bodového čistenia ukončí aktuálnu čistiacu úlohu robota.

Plánované čistenie

Čas upratovania si môžete naplánovať v aplikácii Mi Home/Xiaomi Home. Robot automaticky začne čistiť v určenom čase a po skončení sa vráti do nabíjacieho doku, aby sa dobil.

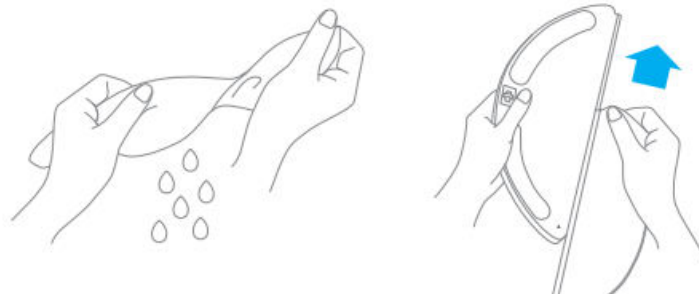
Ďalšie funkcie aplikácie

Ak chcete používať ďalšie funkcie, postupujte podľa pokynov v rozhraní aplikácie. Verzia aplikácie mohla byť aktualizovaná; postupujte podľa pokynov v aktuálnej verzii aplikácie.

Používanie funkcie mopovania

Pre lepší čistiaci účinok sa odporúča vysávať všetky podlahy aspoň trikrát pred prvým vytieraním.


1. Navlhčíte podložku mopu a vypustíte prebytočnú vodu. Bočnú podložku zasuňte do drážky vodnej nádrže, kým nebude pevne na svojom mieste.

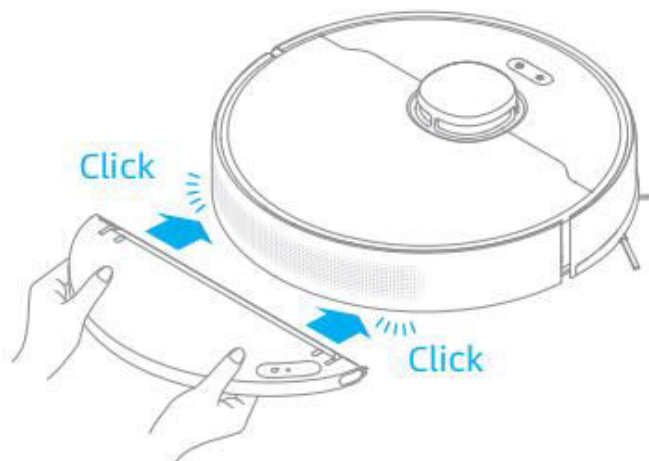


2. Otvorte veko nádrže na vodu, naplňte nádrž vodou a potom veko pevne zatvorte.



Poznámka: Nepoužívajte čistiace ani dezinfekčné prostriedky.

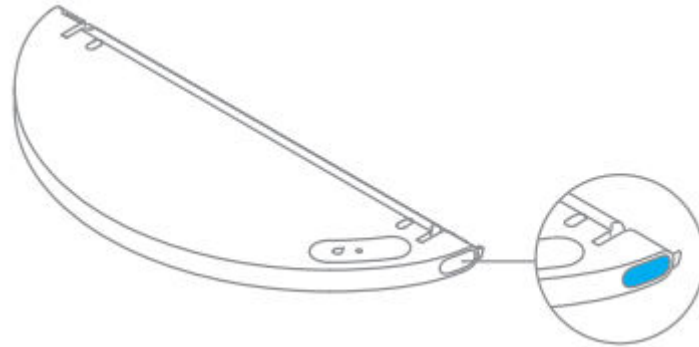
3. Vyrovnajte mopovací modul podľa šípky a zasuňte ho do zadnej časti robota, kým nezacvakne na mieste. Stlačte  alebo použite aplikáciu Mi Home/Xiaomi Home na spustenie čistenia.



Poznámka:

- Neodporúča sa používať funkciu mopovania na kobercoch.
- Pomocou aplikácie upravte vodu podľa potreby.

4. Stlačte obe bočné svorky dovnútra a posuňte nádrž na vodu dozadu, aby ste ju oddelili od robota.

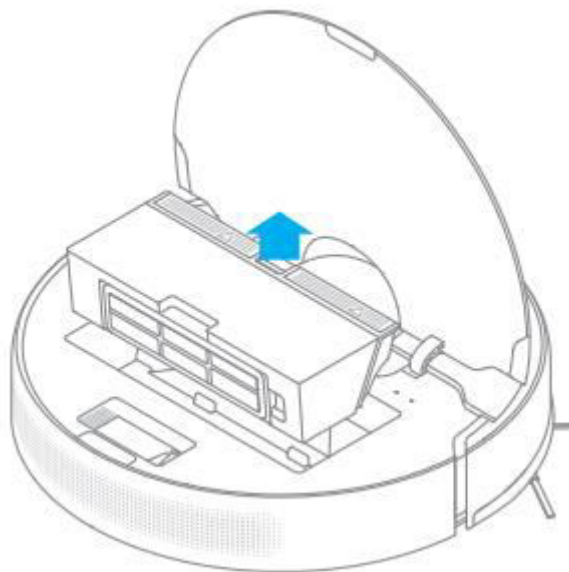


Poznámka: Ak sa robot nabíja alebo sa nepoužíva, vyberte mopovací modul, vylejte z nádrčky zvyšnú vodu a vyčistite mopovacu podložku, aby ste zabránili vzniku plesní alebo zápachu.

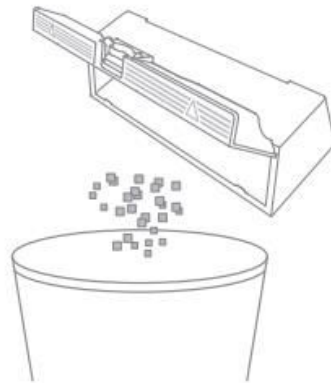
Bežná údržba

Vyčistite prachový kôš a filter

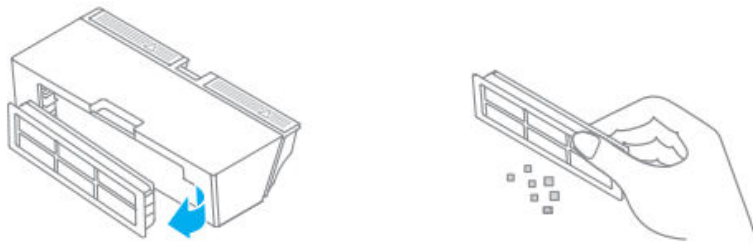
1. Otvorte kryt robota a potom stlačením spony nádoby na prach vyberte nádobu na prach.



2. Otvorte kryt nádoby na prach, ako je znázornené na obrázku.

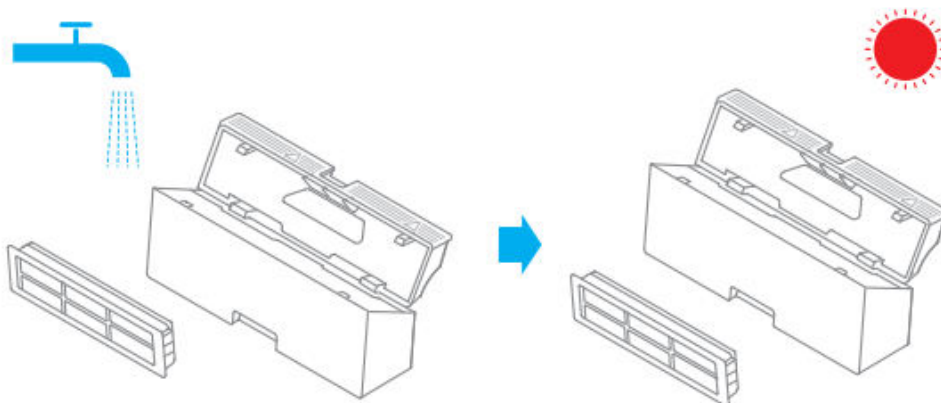


3. Vyberte filter a jemne poklepte na kôš filtra.



Poznámka: Nepokúšajte sa čistiť filter kefou alebo prstom.

4. Nádobu na prach a filter opláchnite vodou, kým nie sú čisté. Pred opätovnou inštaláciou filter dôkladne vysušte.

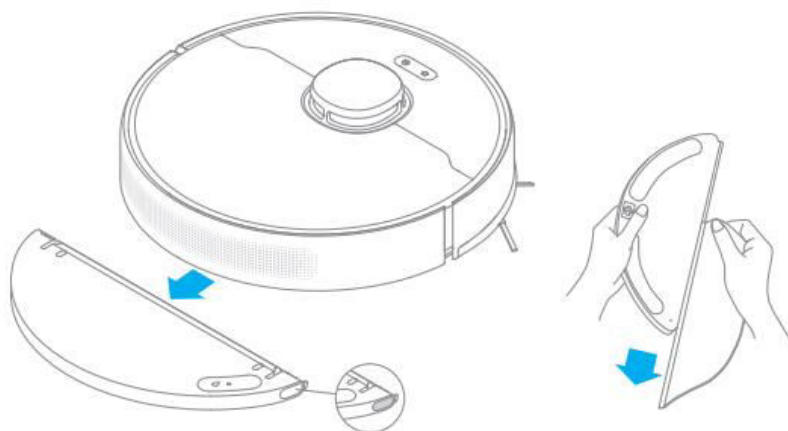


Poznámka:

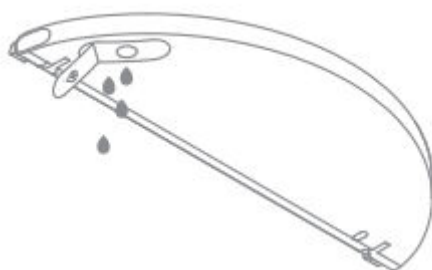
- Na čistenie filtra používajte len čistú vodu. Nepoužívajte čistiace prostriedky.
- Uchovávajte ho na dobre vetranom alebo chladnom mieste.

Čistenie mopovacieho modulu

1. Stlačte dve uvoľňovacie svorky na boku nádrčky na vodu, vyberte mopovací modul a vytiahnite mopovaciu podložku z mopovacieho modulu.

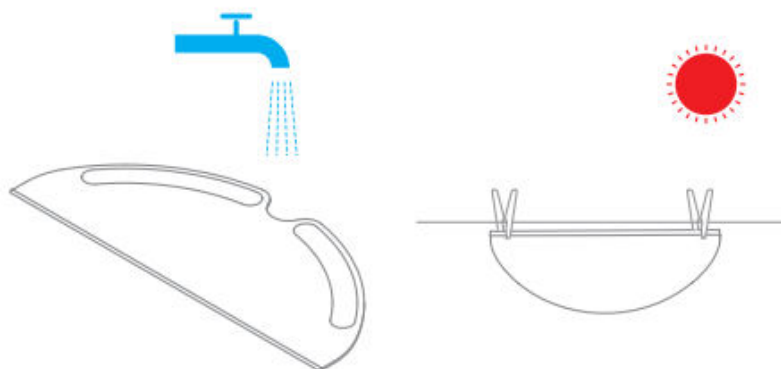


2. Vylejte vodu z nádrže. Pred opätovnou montážou nádrž vyčistite iba vodou a nechajte ju vyschnúť.



Poznámka: Nádrž nevystavujte priamemu slnečnému žiareniu.

3. Pred opätovnou inštaláciou vyčistite mopovú podložku iba vodou a nechajte ju vyschnúť.



Poznámka:

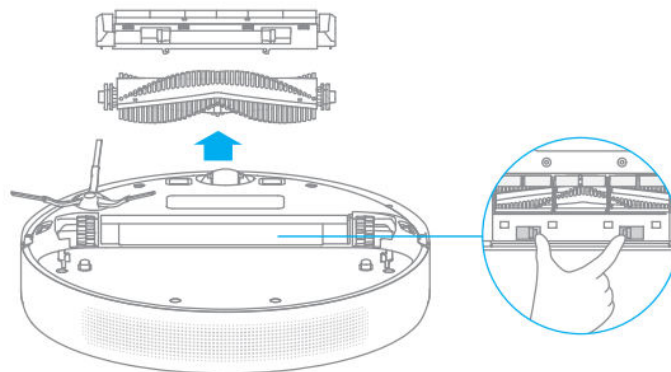
- Pred čistením vyberte podložku z mopovacieho modulu a uistite sa, že špinavá voda nevteká späť do vývodu vody, aby nedošlo k jeho upchatiu.
- Na dosiahnutie optimálneho výkonu sa odporúča vymeniť podložku mopu každých 3 až 6 mesiacov.

4. Ak je prietok vody pomalý alebo objem nie je dobre rozložený, vyčistite vzduchový otvor v kryte vodnej nádrže.

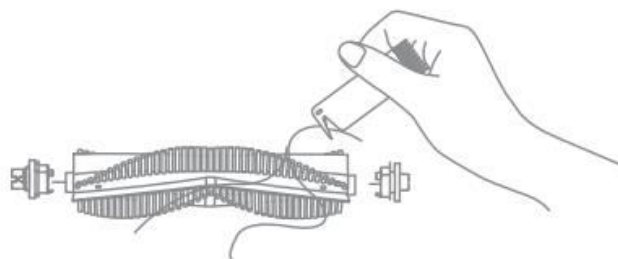


Čistenie hlavnej kefy

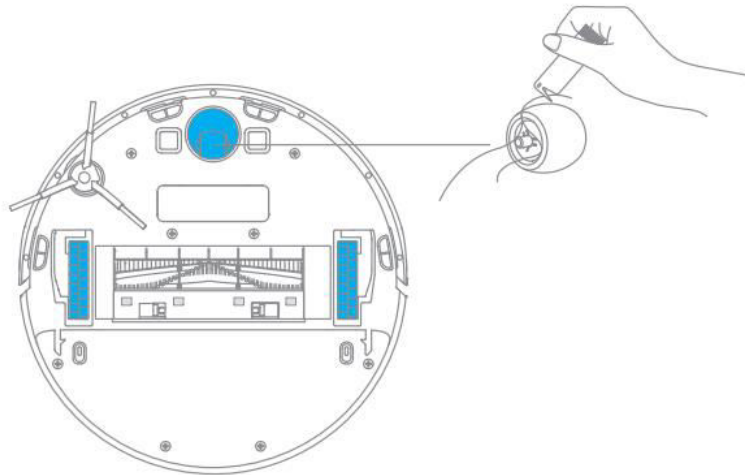
Stlačením svoriek krytu kefy dovnútra odstráňte kryt kefy a vyberte kefu z robota.



Vytiahnite kryt kefy podľa obrázka. Pomocou priloženého čistiaceho nástroja odstráňte všetky vlasy zamotané v kefe.



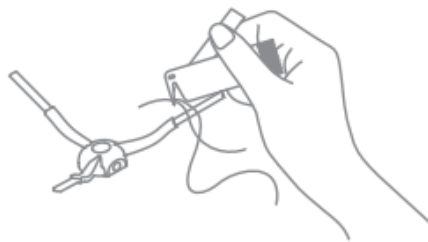
Čistenie hlavného kola/všesmerového kola



Poznámka: Na oddelenie nápravy a pneumatiky použite nástroj, napríklad malý skrutkovač.

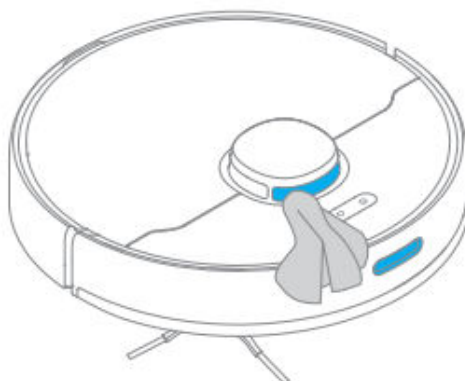
Čistenie bočnej kefy

Vytiahnite bočnú kefu a pomocou priloženého čistiaceho nástroja odstráňte všetky vlasy zamotané na kefe.





Poznámka: Mokrú handričku môžu poškodiť citlivé komponenty robota a nabíjacieho doku. Na čistenie používajte suché utierky.

Čistenie laserového snímača vzdialenosti/snímača návratu do doku



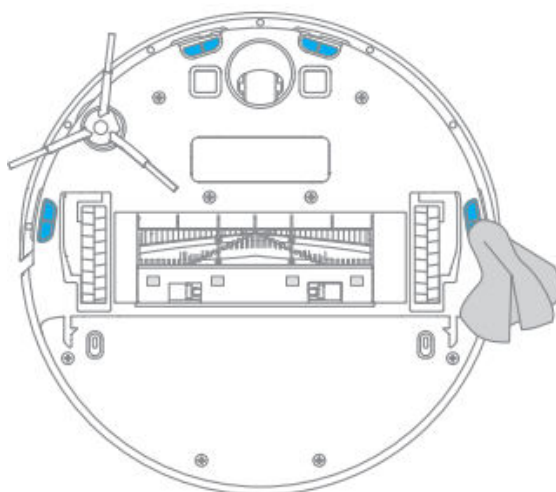
Reštartovanie robota

Ak robot nereaguje alebo sa nedá vypnúť, stlačte a podržte tlačidlo  na 10 sekúnd, aby ste ho násilne vypli. Potom stlačte a podržte tlačidlo  na 3 sekundy, aby ste robota zapli.

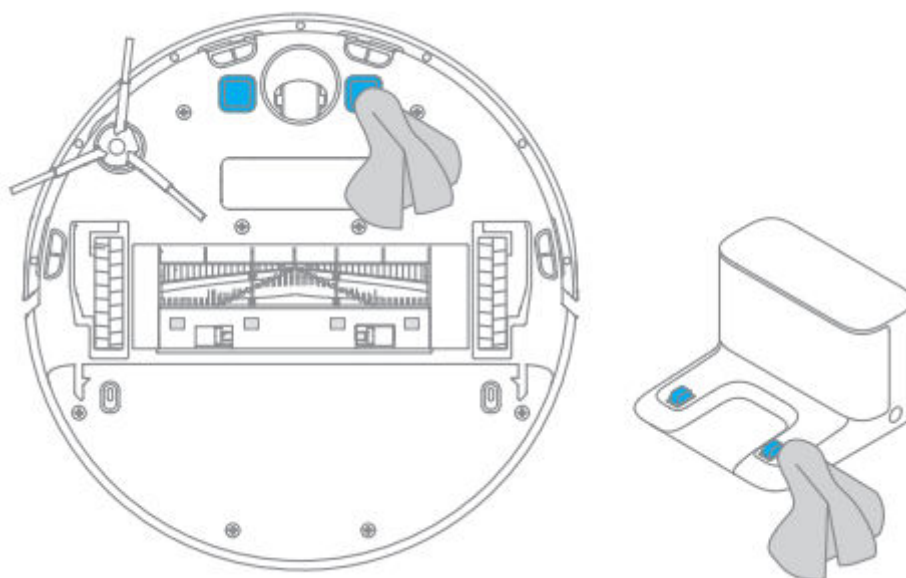
Batérie

Robot obsahuje výkonnú lítium-iónovú batériu. Dbajte na to, aby bol počas každodenného používania dobre nabitý, aby sa zachoval optimálny výkon batérie. Ak robot dlhší čas nepoužívate, vypnite ho a uložte. Aby sa predišlo poškodeniu v dôsledku nadmerného vybitia, robot by sa mal nabíjať aspoň raz za tri mesiace.

Vyčistite snímač útesu



Vyčistite nabíjací kontakt



ČASTO KLADENÉ OTÁZKY

Typ problému	Riešenie
Robot sa nezapne	Úroveň nabitia batérie je nízka. Nabite robota v nabíjacom doku a skúste to znova. Okolité teplota je príliš nízka (pod 0 °C) alebo príliš vysoká (nad 40 °C) Prevádzková teplota robota je 0 °C až 40 °C.
Robot sa nemôže dobíjať	Nabíjací dok neprijíma napájanie. Skontrolujte, či sú oba konce napájacieho kábla správne pripojené. Zlý kontakt. Vyčistite nabíjacie kontakty nabíjacieho doku a robota.
Robot sa nemôže vrátiť do nabíjacieho doku.	V okolí nabíjacieho doku je príliš veľa prekážok. Nabíjaciu stanicu umiestnite na voľné miesto. Vyčistite oblasť signálu dokovacej stanice.
Robot je nefunkčný	Vypnite robota a potom ho znovu aktivujte.
Robot vydáva zvláštny zvuk	Cudzí predmet sa môže zachytiť v hlavnej kefe, bočnej kefe alebo v jednom z hlavných kolies. Zastavte robota a odstráňte všetky nečistoty.
Robot už nečistí efektívne alebo za sebou zanecháva prach	Kôš na odpadky je plný. Prosím, vyčistite ho. Filter je upchatý. Prosím, vyčistite ho. V amínovej kefke sa zachytil cudzí predmet. Prosím, vyčistite ho.
Robot sa nemôže pripojiť k sieti Wi-Fi	Niečo nie je v poriadku s pripojením Wi-Fi. Obnovte Wi-Fi, stiahnite si najnovšiu verziu aplikácie Mi Home/Xiaomi Home a skúste sa pripojiť znova. Oprávnenia na umiestnenie nie sú otvorené. Skontrolujte, či je v aplikácii Mi Home/Xiaomi Home povolené povolenie na určovanie polohy. Signál Wi-Fi je slabý. Uistite sa, že sa systém Android nachádza v oblasti s dobrým pokrytím Wi-Fi. 5GHz Wi-Fi nie je podporované. Uistite sa, že sa robot pripája k 2,4 GHz Wi-Fi. Používateľské meno alebo heslo Wi-Fi je nesprávne. Zadajte správne používateľské meno a heslo.
Robot nevykonáva plánované čistenie	Batéria robota je vybitá. Naplánované čistenie sa nespustí, ak robot nebol včas nabitý.
Spotrebovávajú robot energiu, keď je ponechaný v nabíjacom doku, ak je už plne nabitý?	Ponechanie robota v nabíjacom doku po jeho úplnom nabití spotrebuje veľmi málo elektrickej energie a pomáha udržiavať optimálny výkon batérie.
Z mopovacieho modulu nevyteká žiadna voda alebo vyteká len malé množstvo vody.	Skontrolujte, či je nádržka na vodu naplnená vodou, a v prípade potreby vyčistite mopovú podložku. Ak sa mop zašpiní, vyčistite ho. Skontrolujte, či je mopová podložka správne nainštalovaná podľa pokynov. Vyčistite vyfukovací otvor v hornej časti vodnej

	nádrže.
Robot po nabití nepokračuje v čistení	Uistite sa, že robot nie je nastavený na režim Nerušiť, ktorý mu zabráni pokračovať v čistení. Robot nebude pokračovať v čistení, ak ho ručne nabijete alebo položíte na základňu.
Robot sa po premiestnení nevráti do nabíjacieho doku.	Pohyb robota môže spôsobiť zmenu jeho polohy alebo zmenu mapy jeho okolia. Ak je robot príliš ďaleko od nabíjacieho doku, môže sa vrátiť automaticky, v takom prípade je potrebné robot umiestniť na nabíjací dok manuálne.

Špecifikácia

Robot

Model	RLS5-BL1
Batérie	5 200 mAh (nominálna kapacita batérie)
Čas nabíjania	Približne 6 hodín
Bezdrôtové pripojenie	Wi-Fi IEEE 802.11b/g/n 2,4 GHz
Menovité napätie	14,4 V _{DC}
Menovitý výkon	40W
Prevádzková frekvencia	2400-2483,5 MHz
Maximálny výstupný výkon	< 20 dBm

Nabíjací dok

Model	RCS0
Menovitý príkon	100-240 V ~ 50/60 Hz 0,5 A
Menovitý výkon	19,8 V _{DC} 1A

Pri bežnom používaní tohto zariadenia by mala byť vzdialenosť medzi anténou a telom používateľa najmenej 20 cm.

Záručné podmienky

Na nový výrobok zakúpený v predajnej sieti Alza.sk sa vzťahuje záruka 2 roky. V prípade potreby opravy alebo iného servisu v záručnej dobe sa obráťte priamo na predajcu výrobku, je nutné predložiť originálny doklad o kúpe s dátumom nákupu.

Za rozpor so záručnými podmienkami, pre ktorý nemožno reklamáciu uznať, sa považujú nasledujúce skutočnosti:

- Používanie výrobku na iný účel, než na ktorý je výrobok určený alebo nedodržiavanie pokynov pre údržbu, prevádzku a servis výrobku.
- Poškodenie výrobku živelnou pohromou, zásahom neoprávnenej osoby alebo mechanicky vinou kupujúceho (napr. pri preprave, čistení nevhodnými prostriedkami a pod.).
- Prírodné opotrebovanie a starnutie spotrebného materiálu alebo súčastí počas používania (napr. batérií atď.).
- Pôsobenie nepriaznivých vonkajších vplyvov, ako je slnečné žiarenie a iné žiarenie alebo elektromagnetické pole, vniknutie kvapaliny, vniknutie predmetu, prepätie v sieti, elektrostatický výboj (vrátane blesku), chybné napájacie alebo vstupné napätie a nevhodná polarita tohto napätia, chemické procesy, napr. použité zdroje atď.
- Ak niekto vykonal úpravy, modifikácie, zmeny konštrukcie alebo adaptácie za účelom zmeny alebo rozšírenia funkcií výrobku oproti zakúpenej konštrukcii alebo použitie neoriginálnych súčastí.

EÚ prehlásenie o zhode

Identifikačné údaje splnomocneného zástupcu výrobcu/dovozcu:

Dovozca: Alza.cz a.s.

Sídlo: Jankovcova 1522/53, Holešovice, 170 00 Praha 7.

IČO: 27082440

Predmet prehlásenia:

Názov: Robotický vysávač a mop

Model/typ: RLS5-BL1

Vyššie uvedený výrobok bol testovaný v súlade s normou (normami) použitou (použitými) na preukázanie zhody so základnými požiadavkami stanovenými v smernici (smerniciach):

Smernica 2014/53/EÚ

Smernica 2011/65/EÚ v znení 2015/863/EÚ



WEEE

Tento výrobok nesmie byť likvidovaný ako bežný domový odpad v súlade so smernicou EÚ o odpadových elektrických a elektronických zariadeniach (WEEE - 2012/19/EÚ). Namiesto toho musí byť vrátený na miesto nákupu alebo odovzdaný na verejné zberné miesto recyklovateľného odpadu. Tým, že zaistíte správnu likvidáciu tohto výrobku, pomôžete predísť možným negatívnym dôsledkom pre životné prostredie a ľudské zdravie, ktoré by inak mohli byť spôsobené nevhodným nakladaním s odpadom z tohto výrobku. Ďalšie informácie získate na miestnom úrade alebo na najbližšom zbernom mieste. Nesprávna likvidácia tohto typu odpadu môže mať za následok pokuty v súlade s vnútroštátnymi predpismi.



Kedves vásárló,

Köszönjük, hogy megvásárolta termékünket. Kérjük, hogy az első használat előtt figyelmesen olvassa el az alábbi utasításokat, és őrizze meg ezt a használati útmutatót a későbbi használatra. Fordítson különös figyelmet a biztonsági utasításokra. Ha bármilyen kérdése vagy észrevétele van a készülékkel kapcsolatban, kérjük, forduljon az ügyfélvonalhoz.

✉ www.alza.hu/kapcsolat

☎ +36-1-701-1111

Importőr Alza.cz a.s., Jankovcova 1522/53, Holešovice, 170 00 Prága 7, www.alza.cz

Biztonsági információk

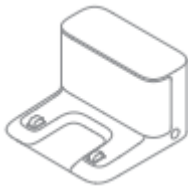
Felhasználási korlátozások

- Ezt a terméket 8 éves vagy annál idősebb gyermekek, valamint fizikai, érzékszervi vagy értelmi fogyatékosokkal, illetve korlátozott tapasztalattal vagy ismeretekkel rendelkező személyek használhatják szülő vagy gondviselő felügyelete mellett a biztonságos működés biztosítása és a kockázatok elkerülése érdekében. A tisztítást és karbantartást gyermekek felügyelet nélkül nem végezhetik.
- Gyermekek nem játszhatnak ezzel a termékkel. Ügyeljen arra, hogy a gyermekek és a háziállatok biztonságos távolságban legyenek a robottól, amíg az működik.
- Ez a termék kizárólag otthoni környezetben történő padlótisztításra szolgál. Ne használja kültéren, vagy nem padlófelületeken, illetve kereskedelmi vagy ipari környezetben.
- Ne használja a robotot a talajszint fölé emelt területen védőgát nélkül.
- Ne használja a robotot 40 °C vagy 0 °C feletti környezeti hőmérsékleten, illetve ne használja folyadékokkal vagy ragadós anyagokkal teli padlón.
- A robot használata előtt szedje fel a padlóról a kábeleket, hogy a robot ne húzza azokat tisztítás közben.
- Távolítsa el a törékeny vagy apró tárgyakat a padlóról, hogy a robot ne ütközzön beléjük és ne tegyen kárt bennük.
- Tartsa távol a haját, az ujjakat és más testrészeket a robotok szívónyílásától.
- Tartsa a keféztisztító eszközt gyermekek számára elérhetetlen helyen.
- Ne helyezzen gyermekeket, háziállatokat vagy bármilyen tárgyat a robot tetejére, függetlenül attól, hogy az álló vagy mozgó állapotban van.
- Ne használja a robotot égő tárgyak tisztítására.
- Ne porszívózzon kemény vagy éles tárgyakat.
- Tisztítás vagy karbantartás előtt győződjön meg róla, hogy a robot ki van kapcsolva, és a töltő dokkoló kihúzva.
- Ne törölje le a termék bármely részét nedves ruhával vagy folyadékkal.
- Kérjük, hogy a terméket a használati útmutatóban található utasításoknak megfelelően használja. A felhasználók felelősek a termék nem megfelelő használatából eredő veszteségekért vagy károkért.

Akkumulátorok és töltés

- Ne használjon harmadik féltől származó akkumulátort, töltőt vagy töltődokkolót. Kizárólag az RCSI tápegységgel használható.
- Ne próbálja meg saját maga szétszerelni, megjavítani vagy módosítani az akkumulátort vagy a töltődokkolót.
- Ne helyezze a töltődokkolót hőforrás közelébe.
- Ne használjon nedves ruhát vagy nedves kezet a dokkoló töltőérintkezők letörléséhez vagy tisztításához.
- Ne dobja ki helytelenül a régi elemeket. A nem szükséges elemeket a megfelelő újrahasznosító létesítményben kell kidobni.
- Ha a tápkábel megsérül vagy elszakad, azonnal hagyja abba a készülék használatát, és forduljon az értékesítés utáni szervizhez.
- A robotot szállítás közben mindenképpen kapcsolja ki, és lehetőleg eredeti csomagolásában tartsa.
- Ha a robotot hosszabb ideig nem használja, töltsse fel teljesen, majd kapcsolja ki, és tárolja hűvös, száraz helyen. A robotot legalább 3 havonta egyszer töltsse fel, hogy elkerülje az akkumulátor túlzott lemerülését.
- Ez a termék olyan akkumulátorokat tartalmaz, amelyeket csak szakképzett szakemberek vagy a vevőszolgálat cserélhet ki.

Termék áttekintés



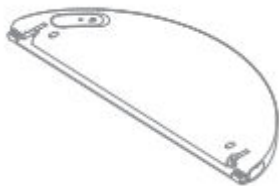
Töltő dokkoló



Tisztító eszköz



Hálózati kábel



Víztartály



Mop Pad

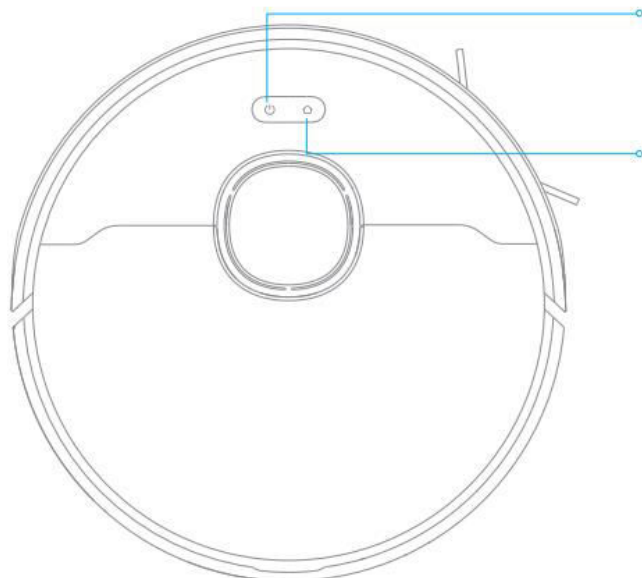


Oldalsó kefe

Megjegyzés: A jelen kézikönyvben található illusztrációk csak referenciaként szolgálnak. Kérjük, tekintse meg a tényleges terméket.

Termék áttekintés

Robot



Bekapcsolás/tisztítás gomb

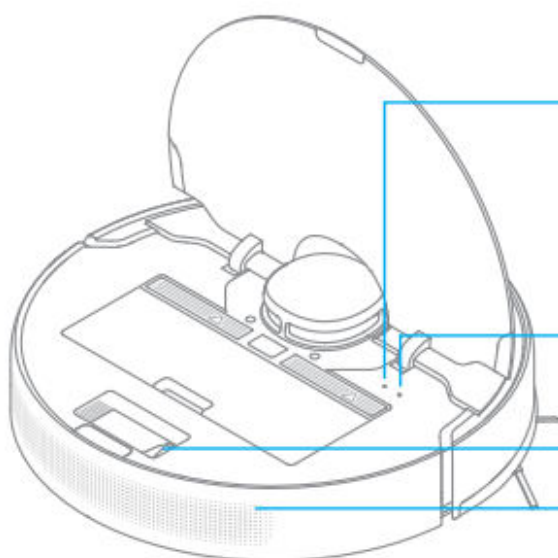
- Nyomja meg és tartsa lenyomva 3 másodpercig.
- Miután nekapcsolt, nyomja meg a tisztítás elindításához.

Dokkológomb/Tisztítógomb

- Nyomja meg a gombot a robot visszaküldéséhez a töltődokkolóba.
- Nyomja meg és tartsa lenyomva 3 másodpercig a Spot Clean üzemmód elindításához.

Állapotjelző

- Fehér: A tisztítás/tisztítás befejeződött / A töltés befejeződött.
- Villogó fehér: Visszatérés a dokkolóhoz a töltéshez fehér az akkumulátor töltöttségi szintje nem alacsony.
- Fehér lélegzetvétel: A porszívó töltődik, ha az akkumulátor töltöttségi szintje nem alacsony.
- Villogó narancssárga: Visszatérés a dokkolóba a töltéshez, ha az akkumulátor töltöttsége alacsony/Hiba
- Lélegző narancs: A porszívó töltődik, ha az akkumulátor töltöttsége alacsony.



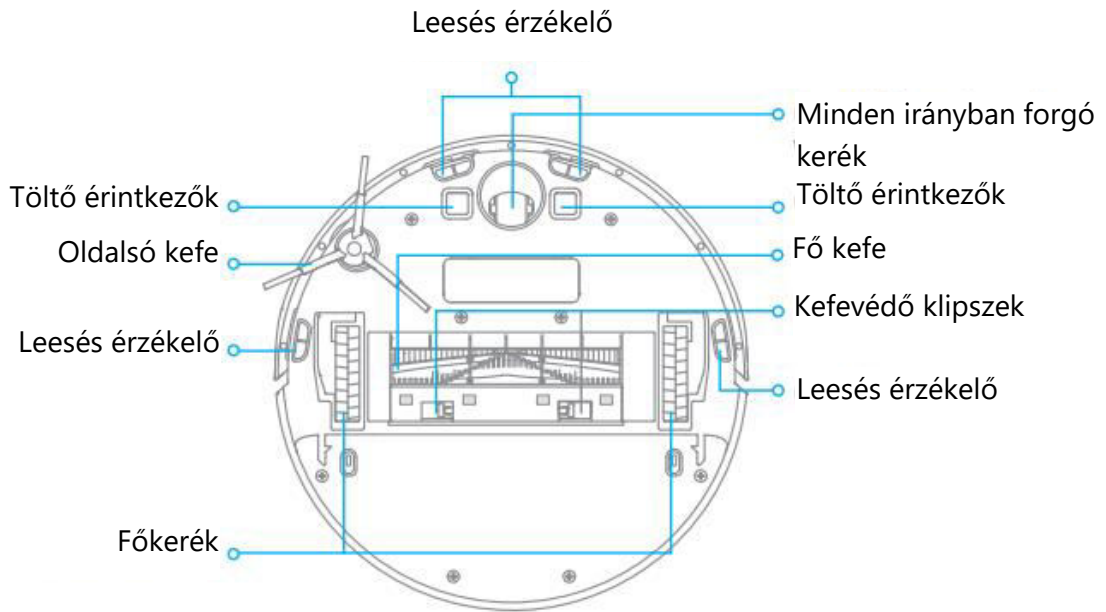
Reset gomb

- Nyomja meg és tartsa lenyomva 3 másodpercig a robot gyári beállításainak visszaállításához.

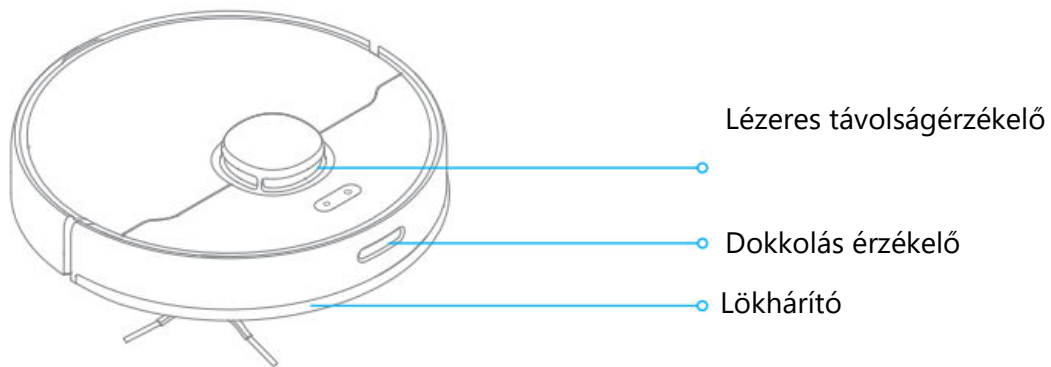
Wi-Fi kijelző

Tisztító eszköz

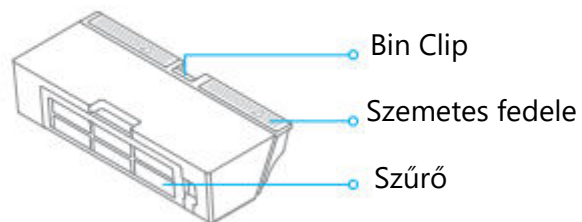
Légkivezetés/hangszóró



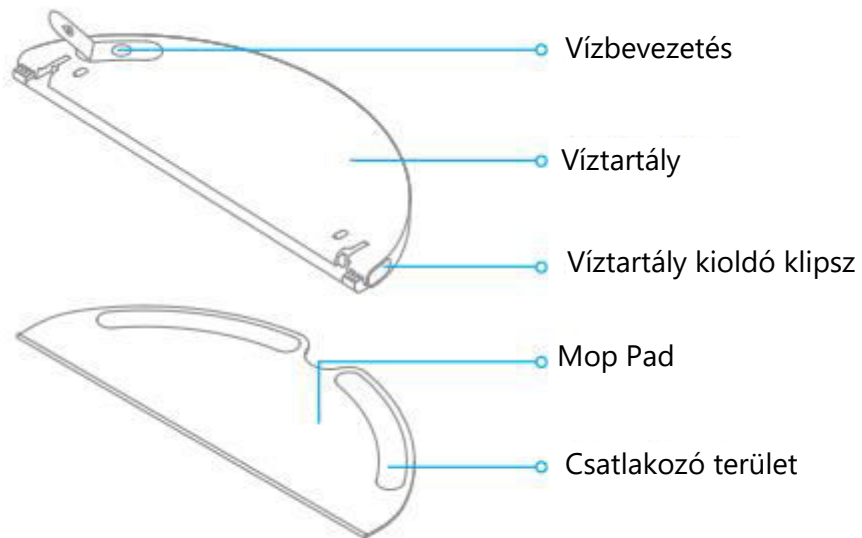
Robot érzékelők



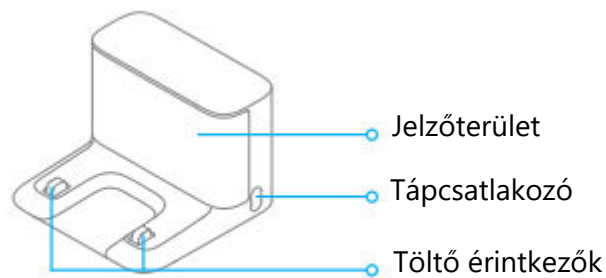
Porgyűjtő



Mopping modul



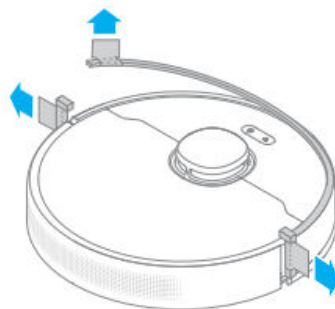
Töltő dokkoló



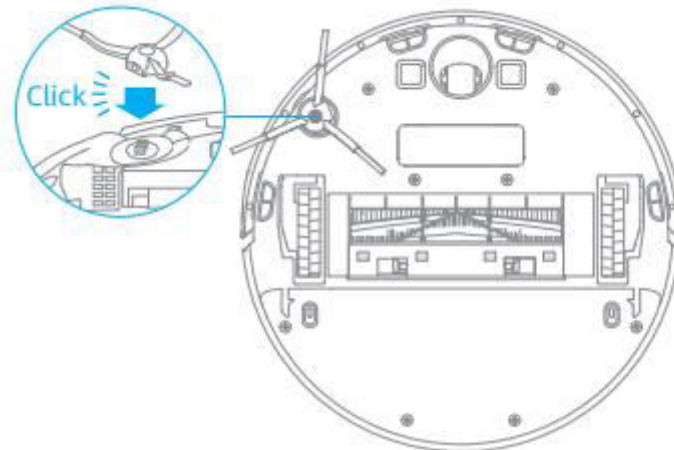
Használat előtti előkészítés

Távolítsa el a védőfóliát

Távolítsa el a roboton lévő védőfóliákat.

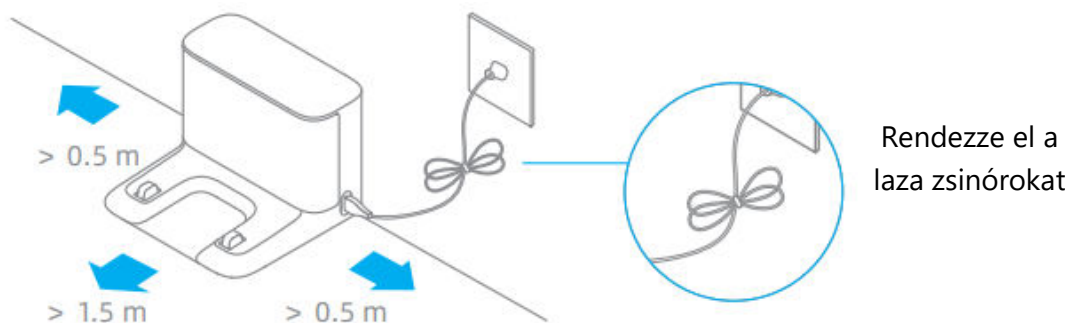


Szerelje fel az oldalsó kefét



Megjegyzés: Szerelje be az oldalsó kefét, amíg be nem kattan a helyére.

Helyezze a töltődokkolót a falhoz, sík talajra, és csatlakoztassa egy konnektorhoz.



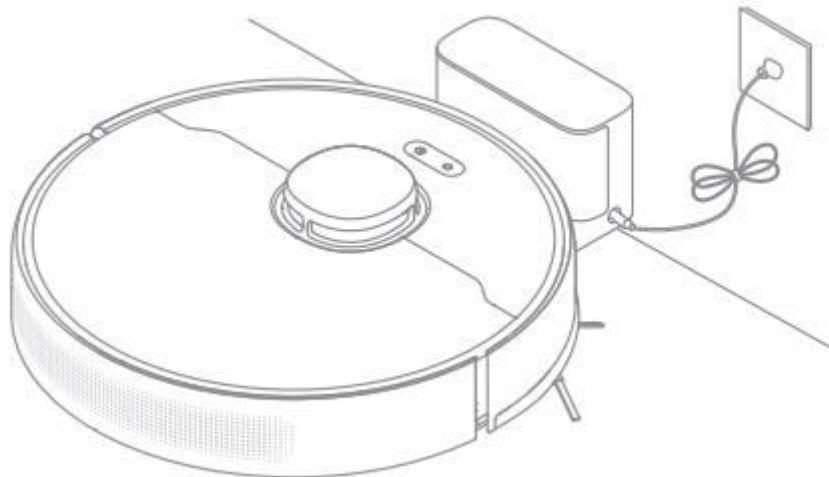
Megjegyzés:

- A töltő előtti 1,5 m-es közvetlen területet és a töltőállomás két oldalán lévő 0,5 m-es területet tartsa szabadon tárgytól.
- Annak érdekében, hogy a telefonjával jól tudjon kapcsolódni a robothoz, győződjön meg arról, hogy a robot és a töltőállomás Wi-Fi hatótávolságon belül van.
- Ne helyezze a töltődokkolót olyan helyre, ahol közvetlen napfény éri, vagy ahol más tárgyak blokkolhatják a jelet, mivel ez megakadályozhatja, hogy a robot visszatérjen a töltődokkolóhoz.

Helyezze a robotot a töltődokkolóra a feltöltéshez. A robot automatikusan bekapcsol és megkezd a töltést.

 Az akkumulátor töltöttségi szintjének kijelzője

- Fehér: Az akkumulátor szintje több mint 15%
- Narancs: Az akkumulátor szintje kevesebb, mint 15%



Megjegyzés:

- Az első használat előtt töltsse fel teljesen a robotot.
- Ne telepítse a felmosómodult töltés közben. Legyen különösen óvatos a nedves felmosással, mivel károsíthatja a padlót.

Csatlakozás a Mi Home/Xiaomi Home alkalmazással

Ez a termék a Mi Home/Xiaomi Home alkalmazással működik. Használja a Mi Home/Xiaomi alkalmazást a készülék vezérléséhez és más intelligens otthoni eszközökkel való interakcióhoz.

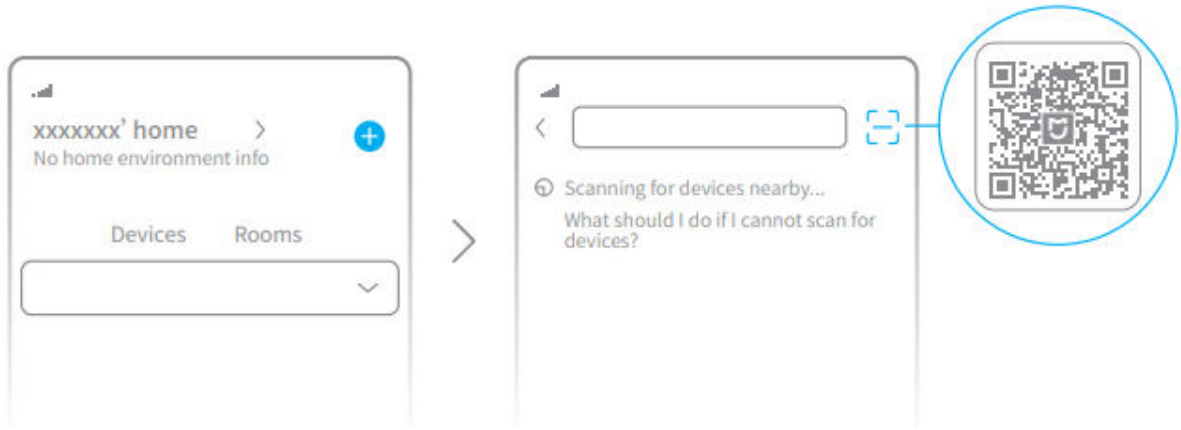
A Mi Home/Xiaomi Home alkalmazás letöltése

Az alkalmazás letöltéséhez és telepítéséhez szkennelje be a QR-kódot. Ha az alkalmazás már telepítve van, a rendszer a kapcsolat beállítási oldalára irányítja. Alternatív megoldásként a letöltéshez és telepítéshez keressen rá az alkalmazásboltban a "Mi Home/Xiaomi Home" kifejezésre.



Eszköz hozzáadása



Nyissa meg a Mi Home/Xiaomi Home alkalmazást, és koppintson a "+" lehetőségre a jobb felső sarokban. Ezután koppintson a "QR" lehetőségre a jobb felső sarokban, szkennelje be a QR-kódot, adja hozzá a "Dreame Bot D9 Max", és kövesse az utasításokat a kapcsolat befejezéséhez.

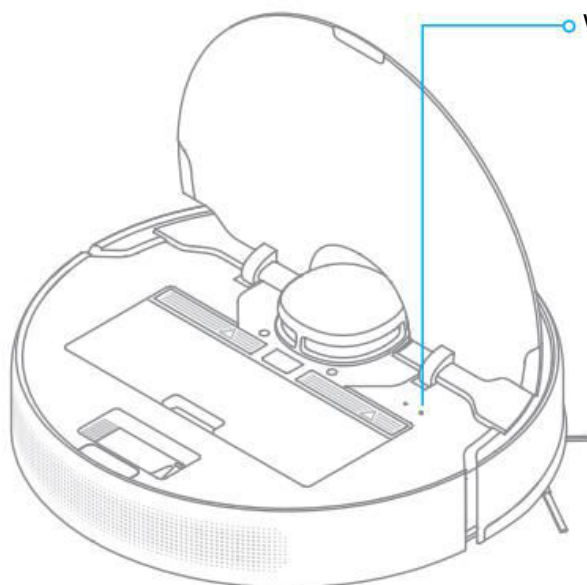


Megjegyzés:

- Csak a 2,4 GHz-es Wi-Fi támogatott.
- Lehet, hogy az alkalmazás verziója frissült. Kérjük, kövesse az aktuális alkalmazásverzió alapján az utasításokat.

Wi-Fi alaphelyzetbe állítása

Egyszerre nyomja meg és tartsa lenyomva a  és a  gombot, amíg a következő hangjelzést hallja: "Vár a hálózati konfigurációra". Amint a Wi-Fi jelző lassan villog, a Wi-Fi beállítása sikeresen megtörtént.





- Lassan pislog: Csatlakoztatandó
- Gyorsan pislog: Csatlakozás
- On: Wi-Fi csatlakoztatva


Megjegyzés: Ha a robot nem tud sikeresen csatlakozni az alkalmazáshoz, állítsa vissza a Wi-Fi-t, és adja hozzá újra az eszközt.

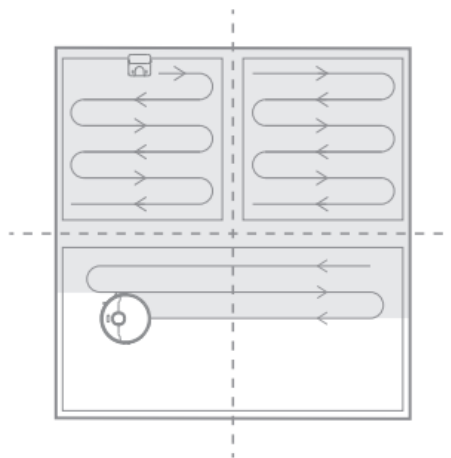
Hogyan kell használni

Be/Kikapcsolás

A robot bekapcsolásához tartsa lenyomva a  gombot 3 másodpercig. Amint a bekapcsolás jelzője folyamatosan fehérre vált, a robot készenléti üzemmódban van. A robot kikapcsolásához nyomja meg és tartsa lenyomva a  gombot 3 másodpercig, amikor a robot nem mozog. A robot kikapcsolásával az aktuális tisztítási feladat véget ér.

Kezdje el a takarítást

A robot bekapcsolásához nyomja meg röviden a  gombot. Bekapcsolás után a robot pontosan feltérképezi az útvonalat, módszeresen tisztít a szélek és a falak mentén, majd a végén S alakú mintázatban minden egyes helyiséget megtisztít, hogy biztosítsa az alapos alkalmazást.



Megjegyzés: Ha az akkumulátor töltöttsége túl alacsony, a robot automatikusan visszatér a dokkolóhoz, hogy feltöltse. A szükséges akkumulátorszintre történő feltöltés után folytatja a befejezetlen tisztítási feladatokat. (A töréspontos folyamatos tisztítás funkciót előzetesen engedélyezni kell az alkalmazáson).

Tisztítási mód

A Dreame Bot D9 Max négy tisztítási móddal rendelkezik: Csendes, Normál, Erős és Turbó. Az alapértelmezett üzemmód a Standard. A tisztítási módot a Mi Home/Xiaomi Home alkalmazásban adhatja meg.

Szünet/alvó üzemmód

Szünet: Bármelyik gomb megnyomásával szüneteltetheti a robotot tisztítás közben.

Alvó üzemmód: A robot 10 perc inaktivitás után automatikusan alvó üzemmódba lép, majd a tápellátás és a töltés kijelzői kialszanak. A robot felébresztéséhez nyomja meg bármelyik gombot.

Megjegyzés:

- A robot automatikusan kikapcsol, ha több mint 12 órán keresztül alvó üzemmódban marad.
- Ha a robot szünetel, a töltő dokkolóra helyezésével a robot befejezi az aktuális tisztítási feladatot.


Ne zavarjon mód

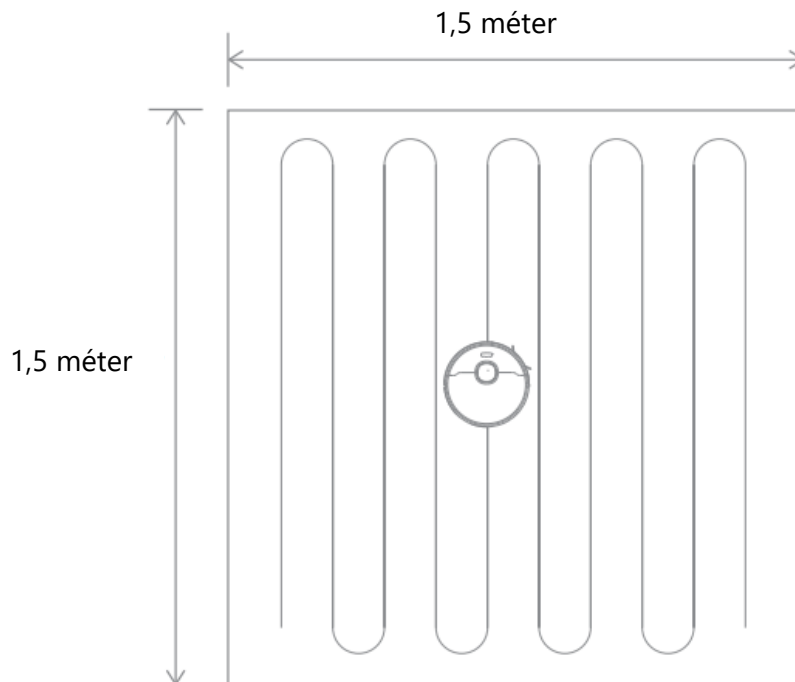
A Ne zavarjon üzemmód megakadályozza, hogy a robot automatikusan elindítsa a tisztítási feladatokat, és a bekapcsolás jelzője kikapcsolva marad. A Ne zavarjon módot az alkalmazásban engedélyezheti, illetve módosíthatja az óraszámát. (A mód alapértelmezés szerint 22:00 és 08:00 között van bekapcsolva).

Megjegyzés:

- Az ütemezett takarítási feladatokat a DND-időszakban is elvégzik.
- A robot a DND-időszak lejárta után folytatja a tisztítást.

Spot Clean üzemmód

Ha a robot szünetel vagy készenléti üzemmódban van, nyomja meg és tartsa lenyomva a  gombot 3 másodpercig a Spot Clean Mode (Foltos tisztítás) üzemmód elindításához. Ebben az üzemmódban egy 1,5 x 1,5 méteres négyzet alakú területet tisztít meg közvetlenül a robot körül. Amikor a foltos tisztítás befejeződött, a robot automatikusan visszatér az eredeti helyére és kikapcsol.



Megjegyzés: A Spot Clean Mode (Helyszíni tisztítás) üzemmód aktiválása befejezi a robot aktuális tisztítási feladatát.

Tervezett takarítás

A Mi Home/Xiaomi Home alkalmazásban ütemezheti a takarítási időt. A robot automatikusan elkezd a tisztítást a kijelölt időpontban, majd a tisztítás befejeztével visszatér a töltőállomáshoz, hogy feltöltődjön.

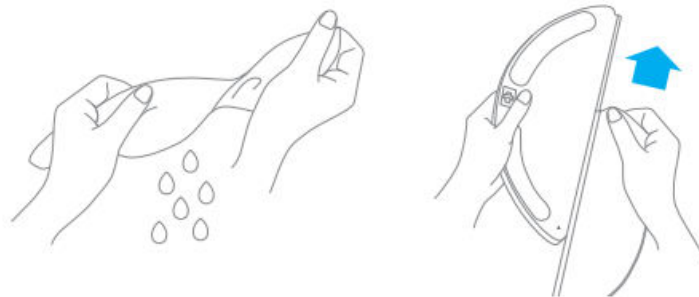
További App funkciók

Kövesse az alkalmazás felületén található utasításokat a további funkciók használatához. Az alkalmazás verziója frissülhetett; kérjük, kövesse az alkalmazás aktuális verzióján alapuló utasításokat.

A Mopping funkció használata

A jobb tisztítási hatás elérése érdekében ajánlott, hogy az első felmosás előtt legalább háromszor porszívózzon fel minden padlót.


1. Nedvesítse meg a felmosópárnát, és vezesse ki a felesleges vizet. Oldalazza a padot egészen a víztartály nyílásába, amíg biztosan a helyére nem kerül.

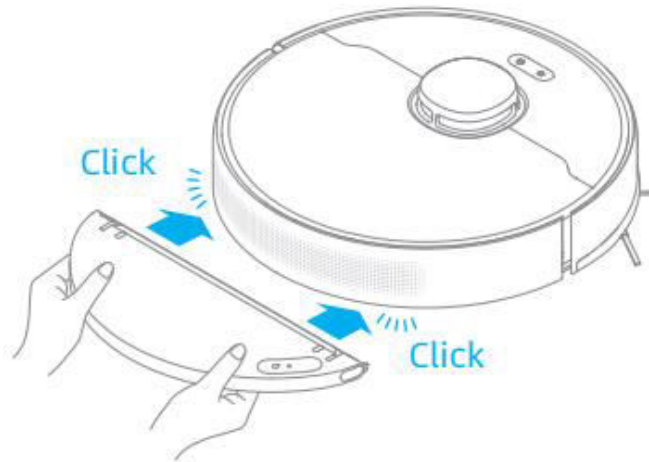


2. Nyissa ki a víztartály fedelét, töltsse fel a tartályba a vizet, majd biztonságosan zárja le a fedelet.



Megjegyzés: Ne használjon mosószert vagy fertőtlenítőszert.

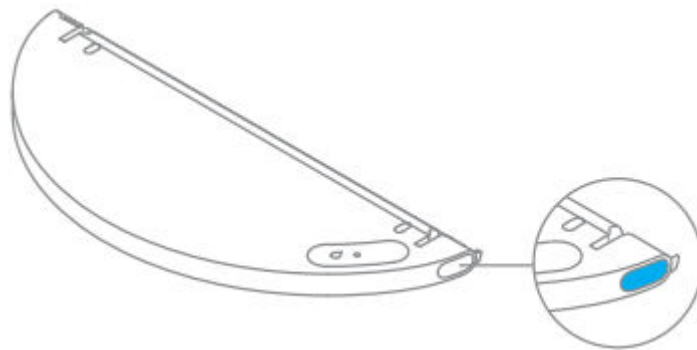
3. Igazítsa a felmosómodult a nyíl által jelzett módon, majd csúsztassa be a robot hátuljába, amíg be nem kattannak a helyére. Nyomja meg a  gombot, vagy használja a Mi Home/Xiaomi Home alkalmazást a takarítás megkezdéséhez.



Megjegyzés:

- A felmosó funkciót nem ajánlott szőnyegekben használni.
- Az alkalmazással szükség szerint beállíthatja a vizet.

4. Nyomja befelé a két oldalsó kapcsot, és csúsztassa hátrafelé a víztartályt, hogy elváljon a robottól.

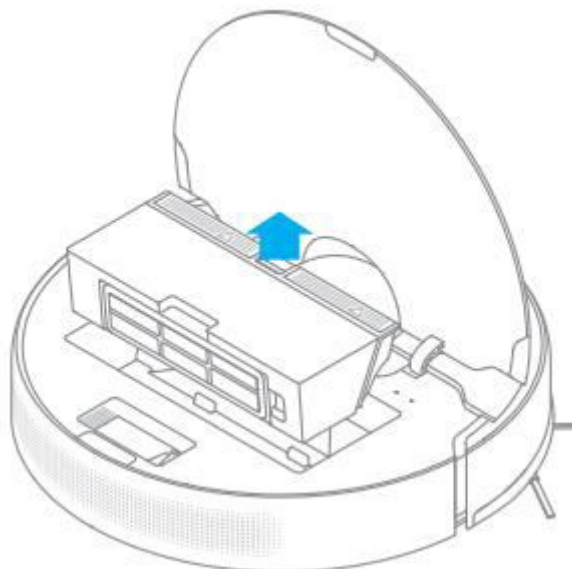


Megjegyzés: Amikor a robot töltődik vagy nincs használatban, vegye ki a felmosómodult, öntse ki a tartályban maradt vizet, és tisztítsa meg a felmosóbetétet a penész és a szagok elkerülése érdekében.

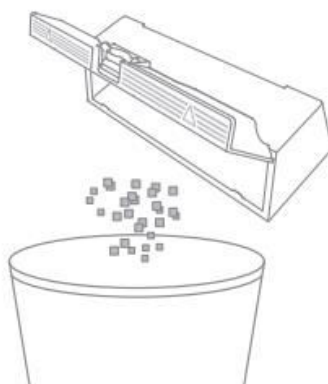
Rutinszerű karbantartás

Tisztítsa meg a porgyűjtőt és a szűrőt

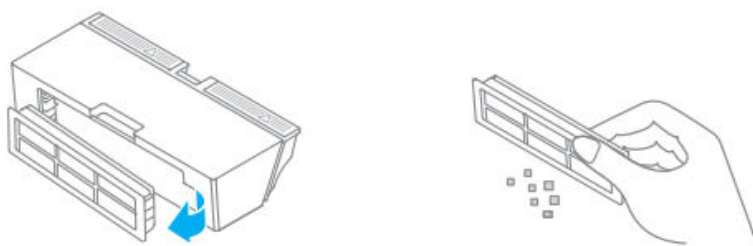
1. Nyissa ki a robot fedelét, majd nyomja meg a porgyűjtő csíptetőjét a porgyűjtő eltávolításához.



2. Nyissa ki a porgyűjtő fedelét az ábra szerint.

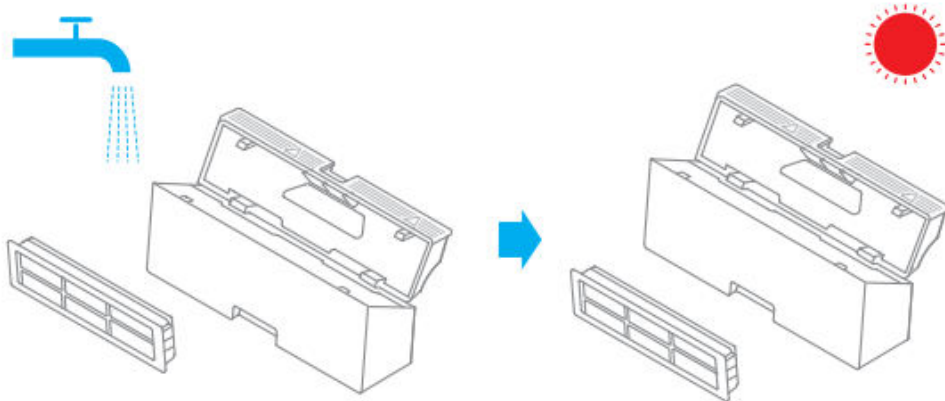


3. Vegye ki a szűrőt, és óvatosan kopogtassa meg a kosarát.



Megjegyzés: Ne próbálja meg kefével vagy ujjal tisztítani a szűrőt.

4. Öblítse ki vízzel a porgyűjtőt és a szűrőt, amíg azok tiszták nem lesznek. Alaposan szárítsa meg a szűrőt, mielőtt visszaszerelné.

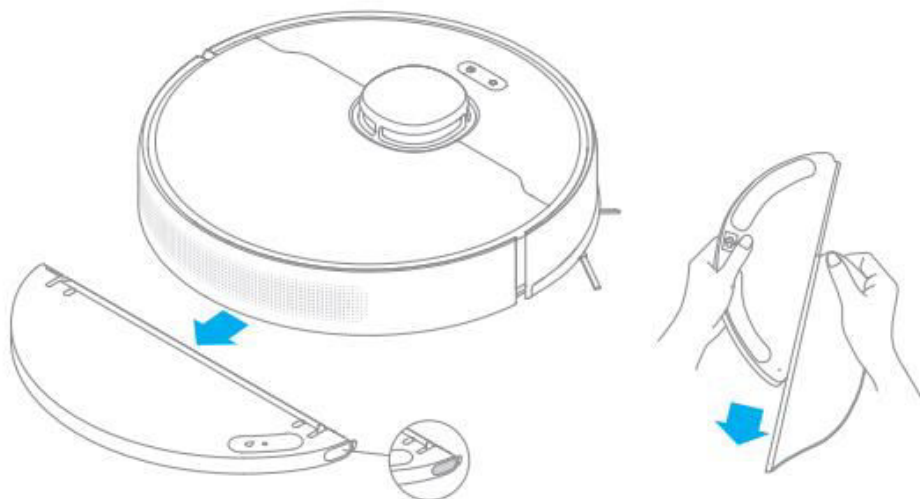


Megjegyzés:

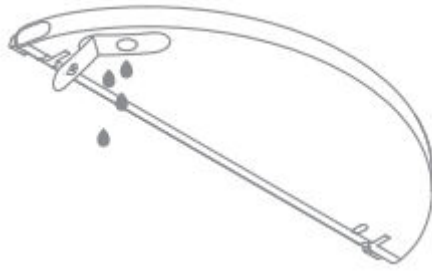
- A szűrő tisztításához csak tiszta vizet szabad használni. Ne használjon tisztítószert.
- Tartsa jól szellőző vagy hűvös helyen.

Tisztítsa meg a felmosó modult

1. Nyomja meg a víztartály oldalán lévő két kioldókapcsot, vegye ki a felmosómodult, és húzza le a felmosóbetétet a felmosómodulról.

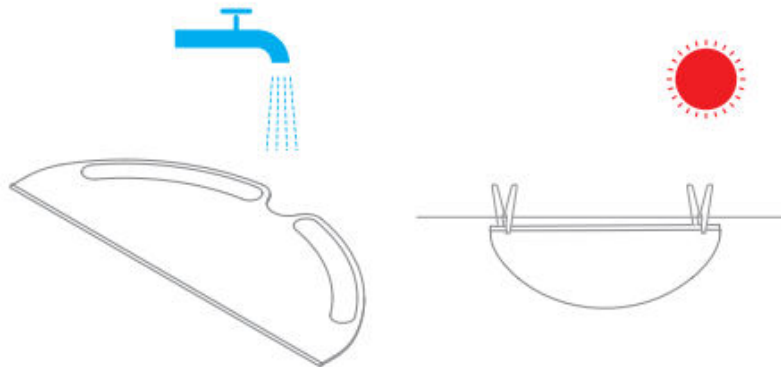


- Öntse ki a tartályban lévő vizet. Csak vízzel tisztítsa meg, és hagyja megszáradni a levegőn, mielőtt újra beszerelné.



Megjegyzés: Ne tegye ki a tartályt közvetlenül a napnak.

- A felmosóbetétet csak vízzel tisztítsa meg, és hagyja megszáradni a levegőn, mielőtt visszahelyezi.



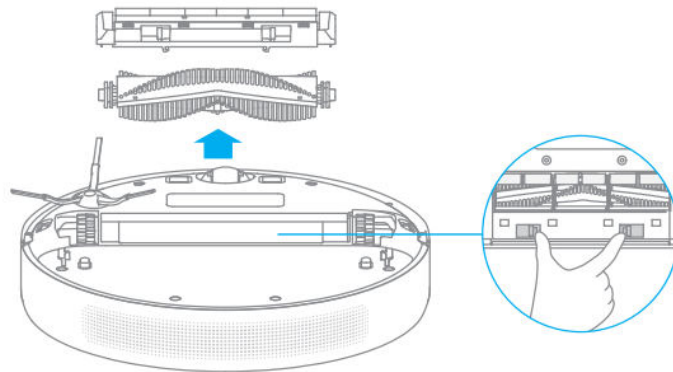
Megjegyzés:

- Tisztítás előtt vegye ki a párnát a felmosómodulból, és az eltömődés elkerülése érdekében győződjön meg arról, hogy a piszkos víz nem folyik vissza a vízkivezető nyílásba.
 - Az optimális teljesítmény érdekében ajánlott a felmosóbetétet 3-6 havonta cserélni.
- Ha lassú a vízáramlás, vagy a vízmennyiség nem oszlik el jól, kérjük, tisztítsa meg a víztartály fedelén lévő levegőnyílást.

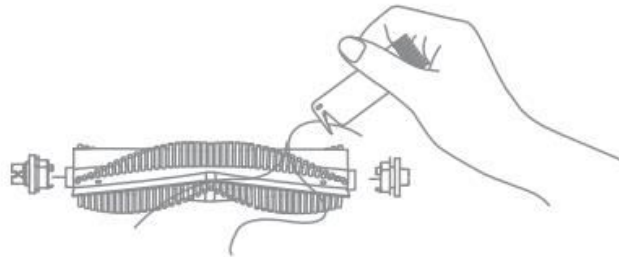


Tisztítsa meg a főkefét

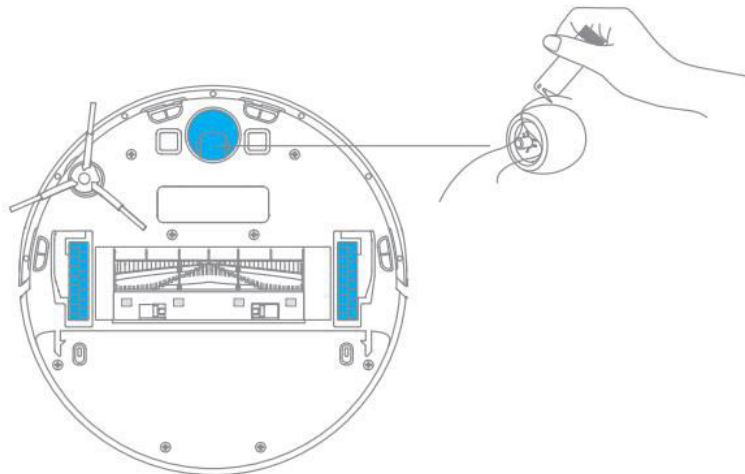
Nyomja befelé a kefevédő kapcsokat a kefevédő eltávolításához, és emelje ki a kefét a robotból.



Húzza ki a kefetakarót az ábrán látható módon. A mellékelt tisztítószerszámmal távolítsa el a kefébe gabalyodott szőrszálakat.



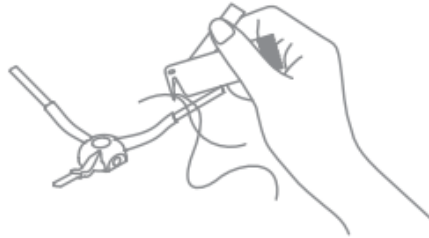
Tisztítsa meg a fő kereket / minden irányú kereket



Megjegyzés: A tengely és a gumibroncs szétválasztásához használjon egy szerszámot, például egy kis csavarhúzó.

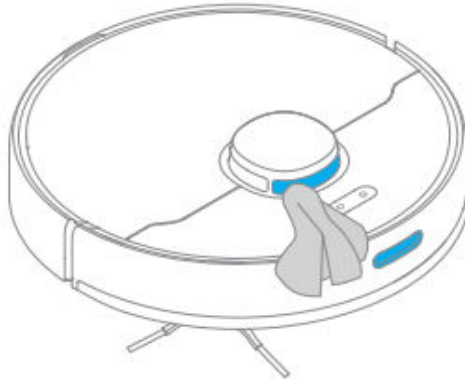
Tisztítsa meg az oldalsó kefét

Húzza ki az oldalsó kefét, és a mellékelt tisztítószerszámmal távolítsa el a kefére szorult szőrszálakat.





Megjegyzés: A nedves ruhák károsíthatják a robot és a töltőállomás érzékeny elemeit. Kérjük, a tisztításhoz használjon száraz rongyokat.

Tisztítsa meg a lézertávolság-érzékelőt / a dokkba való visszatérés érzékelőjét.



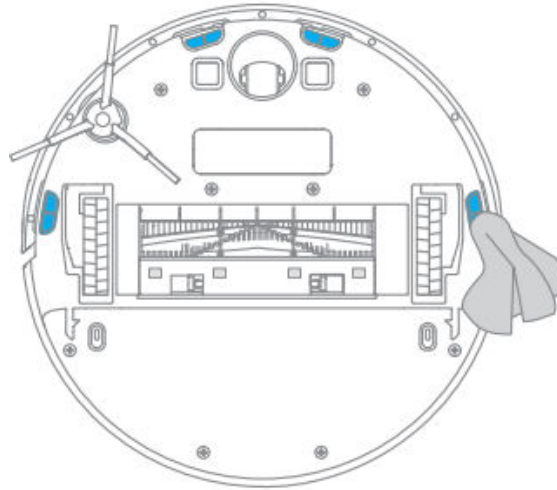
Robot újraindítása

Ha a robot nem reagál, vagy nem lehet kikapcsolni, nyomja meg és tartsa lenyomva a  gombot 10 másodpercig, hogy erőszakkal kikapcsolja. Ezután nyomja meg és tartsa lenyomva a  gombot 3 másodpercig a robot bekapcsolásához.

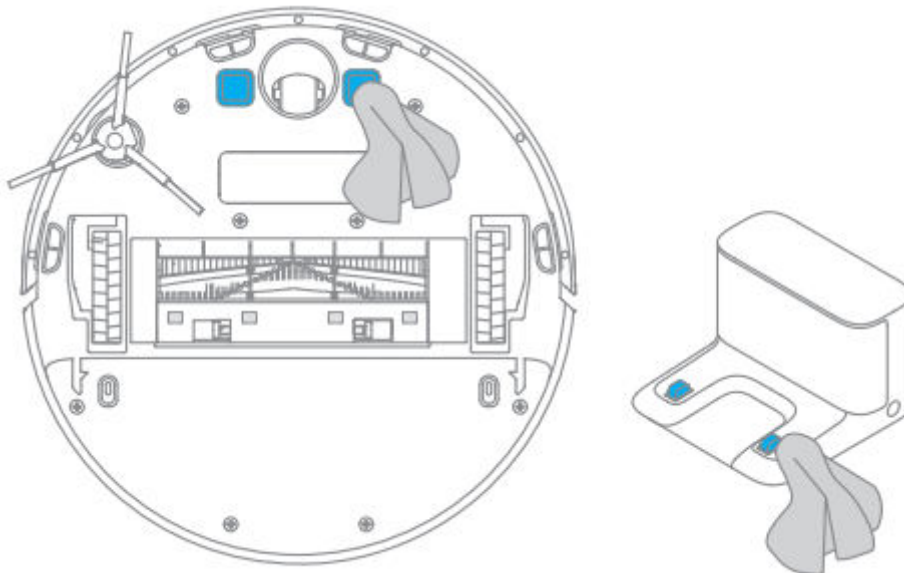
Akkumulátor

A robot nagy teljesítményű lítium-ion akkumulátorcsomagot tartalmaz. Kérjük, gondoskodjon arról, hogy a napi használat során jól feltöltve maradjon az akkumulátor optimális teljesítményének fenntartása érdekében. Ha a robotot hosszabb ideig nem használja, kapcsolja ki és tegye el. A túlzott lemerülésből eredő károk megelőzése érdekében a robotot legalább háromhavonta egyszer fel kell tölteni.

Tisztítsa meg a leesés érzékelőt



Tisztítsa meg a töltőérintkezőt



GYIK

Probléma típusa	Megoldás
A robot nem kapcsol be	Az akkumulátor töltöttségi szintje alacsony. Töltse fel a robotot a töltőállomáson, majd próbálja meg újra. A környezeti hőmérséklet túl alacsony (0°C alatt) vagy túl magas (40°C felett) A robot működési hőmérséklete 0°C és 40°C között van.
A robot nem tud újratölteni	A töltőállomás nem kap áramot. Kérjük, ellenőrizze, hogy a tápkábel mindkét vége megfelelően van-e csatlakoztatva. Rossz kapcsolat. Tisztítsa meg a töltő dokkoló és a robot töltési érintkezőit.
A robot nem tud visszatérni a töltőállomáshoz	A töltőállomás körül túl sok az akadály. Helyezze a töltődokkolót egy nyitottabb területre. Kérjük, tisztítsa meg a dokkoló jelzőterületét.
A robot meghibásodott	Kapcsolja ki a robotot, majd kapcsolja be újra.
A robot furcsa hangot ad ki	Idegen tárgy akadhat a főkefébe, az oldalsó kefébe vagy az egyik fő kerékbe. Állítsa le a robotot, és távolítsa el a törmelékét.
A robot már nem tisztít hatékonyan vagy nem hagy hátra port	A szemetes tele van. Kérjük, tisztítsa ki. A szűrő eltömődött. Kérjük, tisztítsa meg. Idegen tárgy akadt a kefébe. Kérjük, tisztítsa meg.
A robot nem tud csatlakozni a Wi-Fihez	Valami baj van a Wi-Fi-kapcsolattal. Állítsa vissza a Wi-Fi-t és töltse le a Mi Home/Xiaomi Home alkalmazás legújabb verzióját, majd próbálja meg újracsatlakoztatni. A helymeghatározási engedély nincs megnyitva. Győződjön meg róla, hogy a Mi Home/Xiaomi Home alkalmazás helymeghatározási engedélye engedélyezve van. A Wi-Fi jel gyenge. Győződjön meg róla, hogy a robot jó Wi-Fi lefedettségű területen van. Az 5GHz-es Wi-Fi nem támogatott. Kérjük, győződjön meg róla, hogy a robot 2,4 GHz-es Wi-Fi-hez csatlakozik. A Wi-Fi felhasználóneve vagy jelszava helytelen. Kérjük, adja meg a helyes felhasználónevet és jelszót.
A robot nem végez ütemezett tisztítást	A robot akkumulátora lemerült. Az ütemezett takarítás csak akkor indul el, ha a robotot időben feltöltötték.
A robotot a töltőállomáson hagyva fogyaszt-e energiát, ha már teljesen feltöltötték?	Ha a robotot a töltőállomáson hagyja, miután teljesen feltöltődött, nagyon kevés áramot fogyaszt, és segít fenntartani az akkumulátor optimális teljesítményét.
A felmosó modulból nem jön ki víz, vagy csak egy kevés víz jön ki.	Ellenőrizze, hogy a víztartály tele van-e vízzel, és szükség esetén tisztítsa meg a felmosóbetétet.

	Tisztítsa meg a felmosórongyot, ha az piszkos lesz. Győződjön meg arról, hogy a felmosópárna a használati útmutatónak megfelelően van-e felszerelve. Tisztítsa meg a víztartály tetején lévő fúvónyílást.
A robot nem folytatja a tisztítást töltés után	Győződjön meg róla, hogy a robot nincs Ne zavarjon üzemmódba állítva, ami megakadályozza, hogy folytassa a tisztítást. A robot nem folytatja a tisztítást, ha kézzel feltöltik vagy a talapzatra helyezik.
A robot nem tér vissza a töltőállomáshoz, miután elmozdították	A robot mozgásával a robot újrapozícionálhatja magát, vagy újratérképezheti a környezetét. Ha a robot túl messze van a töltődokkolótól, előfordulhat, hogy magától visszatér, ebben az esetben kézzel kell a robotot a töltődokkolóra helyezni.

Műszaki adatok

Robot

Modell	RLS5-BL1
Akkumulátor	5200 mAh (az akkumulátor névleges kapacitása)
Töltési idő	Kb. 6 óra
Vezeték nélküli kapcsolat	Wi-Fi IEEE 802.11b/g/n 2.4 GHz
Névleges feszültség	14.4 V _{DC}
Névleges teljesítmény	40W
Működési frekvencia	2400-2483,5 MHz
Maximális kimeneti teljesítmény	< 20 dBm

Töltő dokkoló

Modell	RCS0
Névleges bemenet	100-240 V ~ 50/60 Hz 0,5 A
Névleges teljesítmény	19,8 V _{DC} 1A

Normál használat esetén ezt a berendezést legalább 20 cm távolságban kell tartani az antenna és a felhasználó teste között.

Jótállási feltételek

Az Alza.cz értékesítési hálózatában vásárolt új termékre 2 év garancia vonatkozik. Ha a garanciális időszak alatt javításra vagy egyéb szolgáltatásra van szüksége, forduljon

közvetlenül a termék eladójához, a vásárlás dátumával ellátott eredeti vásárlási bizonylatot kell bemutatnia.

Az alábbiak a jótállási feltételekkel való ellentétnek minősülnek, amelyek miatt az igényelt követelés nem ismerhető el:

- A terméknek a termék rendeltetésétől eltérő célra történő használata, vagy a termék karbantartására, üzemeltetésére és szervizelésére vonatkozó utasítások be nem tartása.
- A termék természeti katasztrófa, illetéktelen személy beavatkozása vagy a vevő hibájából bekövetkezett mechanikai sérülése (pl. szállítás, nem megfelelő eszközökkel történő tisztítás stb. során).
- A fogyóeszközök vagy alkatrészek természetes elhasználódása és öregedése a használat során (pl. akkumulátorok stb.).
- Káros külső hatásoknak való kitettség, például napfény és egyéb sugárzás vagy elektromágneses mezők, folyadék behatolása, tárgyak behatolása, hálózati túlfeszültség, elektrosztatikus kisülési feszültség (beleértve a villámlást), hibás táp- vagy bemeneti feszültség és e feszültség nem megfelelő polaritása, kémiai folyamatok, például használt tápegységek stb.
- Ha valaki a termék funkcióinak megváltoztatása vagy bővítése érdekében a megvásárolt konstrukcióhoz képest módosításokat, átalakításokat, változtatásokat végzett a konstrukción vagy adaptációt végzett, vagy nem eredeti alkatrészeket használt.

EU-megfelelőségi nyilatkozat

A gyártó/importőr meghatalmazott képviselőjének azonosító adatai:

Importőr: Alza.cz a.s.

Bejegyzett székhely: Jankovcova 1522/53, Holešovice, 170 00 Prága 7

CIN: 27082440

A nyilatkozat tárgya:

Cím: Robotporszívó és felmosó

Modell / típus: RLS5-BL1

A fenti terméket az irányelv(ek)ben meghatározott alapvető követelményeknek való megfelelés igazolásához használt szabvány(ok)nak megfelelően vizsgálták:

2014/53/EU irányelv

A 2015/863/EU módosított 2011/65/EU irányelv



WEEE

Ez a termék nem ártalmatlanítható normál háztartási hulladékként az elektromos és elektronikus berendezések hulladékairól szóló uniós irányelvnek (WEEE - 2012/19 / EU) megfelelően. Ehelyett vissza kell juttatni a vásárlás helyére, vagy át kell adni az újrahasznosítható hulladékok nyilvános gyűjtőhelyén. Azzal, hogy gondoskodik a termék megfelelő ártalmatlanításáról, segít megelőzni a környezetre és az emberi egészségre gyakorolt esetleges negatív következményeket, amelyeket egyébként a termék nem megfelelő hulladékkezelése okozhatna. További részletekért forduljon a helyi hatósághoz vagy a legközelebbi gyűjtőponthoz. Az ilyen típusú hulladék nem megfelelő ártalmatlanítása a nemzeti előírásoknak megfelelően pénzbírságot vonhat maga után.



Sehr geehrter Kunde,

vielen Dank für den Kauf unseres Produkts. Bitte lesen Sie die folgenden Anweisungen vor dem ersten Gebrauch sorgfältig durch und bewahren Sie diese Bedienungsanleitung zum späteren Nachschlagen auf. Beachten Sie insbesondere die Sicherheitshinweise. Wenn Sie Fragen oder Kommentare zum Gerät haben, wenden Sie sich bitte an den Kundenservice.

✉ www.alza.de/kontakt

☎ 0800 181 45 44

✉ www.alza.at/kontakt

☎ +43 720 815 999

Lieferant Alza.cz a.s., Jankovcova 1522/53, Holešovice, 170 00 Prag 7, www.alza.cz

Informationen zur Sicherheit

Nutzungseinschränkungen

- Dieses Produkt kann von Kindern ab 8 Jahren und Personen mit körperlichen, sensorischen oder intellektuellen Defiziten oder mit begrenzter Erfahrung oder Wissen unter Aufsicht eines Elternteils oder Erziehungsberechtigten benutzt werden, um einen sicheren Betrieb zu gewährleisten und jegliche Risiken zu vermeiden. Die Reinigung und Wartung darf nicht von Kindern ohne Aufsicht durchgeführt werden.
- Kinder dürfen nicht mit diesem Produkt spielen. Achten Sie darauf, dass Kinder und Haustiere während des Betriebs des Roboters in einem sicheren Abstand zu ihm gehalten werden.
- Dieses Produkt ist nur für die Bodenreinigung im häuslichen Bereich geeignet. Verwenden Sie es nicht im Freien, auf Nicht-Bodenoberflächen oder in gewerblichen oder industriellen Umgebungen.
- Verwenden Sie den Roboter nicht in einem Bereich, der über dem Boden hängt, ohne eine Schutzbarriere.
- Verwenden Sie den Roboter nicht bei einer Umgebungstemperatur über 40° oder 0°C oder auf einem Boden mit Flüssigkeiten oder klebrigen Substanzen.
- Heben Sie alle Kabel vom Boden auf, bevor Sie den Roboter benutzen, um zu verhindern, dass er sie beim Reinigen mitschleift.
- Entfernen Sie zerbrechliche oder kleine Gegenstände vom Boden, um zu verhindern, dass der Roboter dagegen stößt und sie beschädigt.
- Halten Sie Haare, Finger und andere Körperteile von der Saugöffnung des Roboters fern.
- Bewahren Sie das Bürstenreinigungswerkzeug außerhalb der Reichweite von Kindern auf.
- Stellen Sie keine Kinder, Haustiere oder andere Gegenstände auf den Roboter, unabhängig davon, ob er steht oder sich bewegt.
- Verwenden Sie den Roboter nicht zum Reinigen von brennenden Gegenständen.
- Saugen Sie keine harten oder scharfen Gegenstände auf.
- Vergewissern Sie sich, dass der Roboter ausgeschaltet und die Ladestation ausgesteckt ist, bevor Sie Reinigungs- oder Wartungsarbeiten durchführen.
- Wischen Sie keine Teile des Produkts mit einem feuchten Tuch oder mit Flüssigkeiten ab.
- Bitte verwenden Sie dieses Produkt in Übereinstimmung mit den Anweisungen im Benutzerhandbuch. Der Benutzer ist für alle Verluste oder Schäden verantwortlich, die durch unsachgemäße Verwendung dieses Produkts entstehen.

Batterien und Aufladen

- Verwenden Sie keine Akkus, Ladegeräte oder Ladestationen von Drittanbietern. Nur mit der RCS0-Versorgungseinheit verwenden.
- Versuchen Sie nicht, den Akku oder die Ladestation selbst zu zerlegen, zu reparieren oder zu modifizieren.

- Stellen Sie die Ladestation nicht in der Nähe einer Wärmequelle auf.
- Verwenden Sie kein nasses Tuch und keine nassen Hände, um die Ladekontakte des Docks abzuwischen oder zu reinigen.
- Entsorgen Sie alte Batterien nicht unsachgemäß. Nicht mehr benötigte Batterien sollten bei einer geeigneten Recyclinganlage entsorgt werden.
- Wenn das Netzkabel beschädigt oder gebrochen ist, verwenden Sie es nicht weiter und wenden Sie sich an den Kundendienst.
- Achten Sie darauf, dass der Roboter beim Transport ausgeschaltet ist und möglichst in der Originalverpackung aufbewahrt wird.
- Wenn der Roboter über einen längeren Zeitraum nicht benutzt wird, laden Sie ihn vollständig auf, schalten Sie ihn dann aus und lagern Sie ihn an einem kühlen, trockenen Ort. Laden Sie den Roboter mindestens einmal alle 3 Monate auf, um eine Tiefentladung des Akkus zu vermeiden.
- Dieses Produkt enthält Batterien, die nur von qualifizierten Technikern oder dem Kundendienst ausgetauscht werden können.

Produktübersicht



Dock zum Aufladen



Reinigungswerkzeug



Netzkabel



Wassertank



Wischer

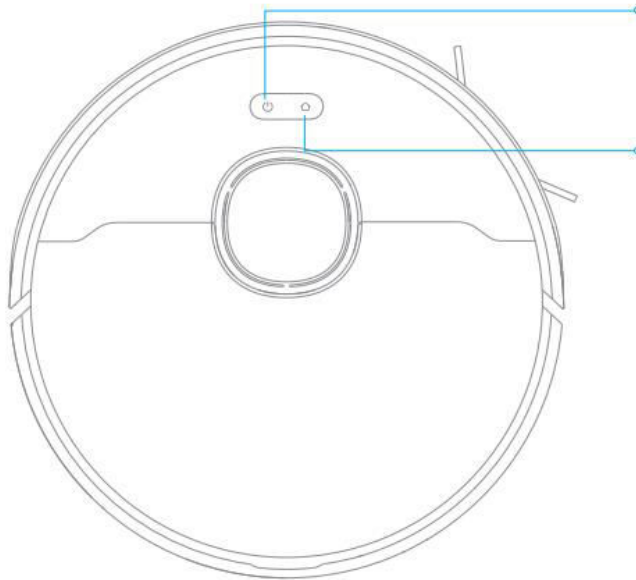


Seitenbürste

Hinweis: Die Abbildungen in diesem Handbuch dienen nur als Referenz. Bitte beziehen Sie sich auf das tatsächliche Produkt.

Produktübersicht

Roboter



Power/Clean-Taste

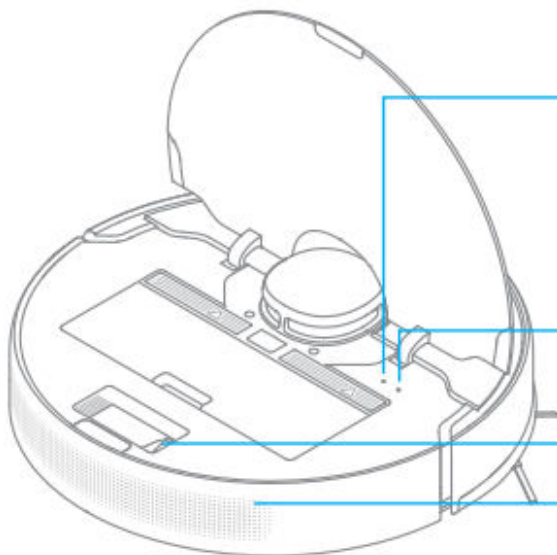
- Drücken Sie , um den Roboter zurück in die Ladestation zu schicken.
- Halten Sie die Taste 3 Sekunden lang gedrückt, um den Spot Clean-Modus zu starten.

Dock-Taste/Spot Clean-Taste

- Drücken Sie , um den Roboter zurück in die Ladestation zu schicken.
- Halten Sie die Taste 3 Sekunden lang gedrückt, um den Spot Clean-Modus zu starten.

Status-Indikator

- Weiß: Reinigung/Reinigung ist abgeschlossen / Aufladen ist abgeschlossen
- Blinkt weiß: Zurück zum Dock, um die Batterie aufzuladen Weiß: Die Batterieleistung ist nicht niedrig
- Atmend Weiß: Der Staubsauger wird aufgeladen, wenn die Akkuleistung nicht niedrig ist.
- Orange blinkend: Rückkehr zum Dock zum Aufladen bei niedrigem Batteriestand/Fehler
- Orange pulsierend: der Staubsauger wird aufgeladen, wenn die Akkuleistung niedrig ist



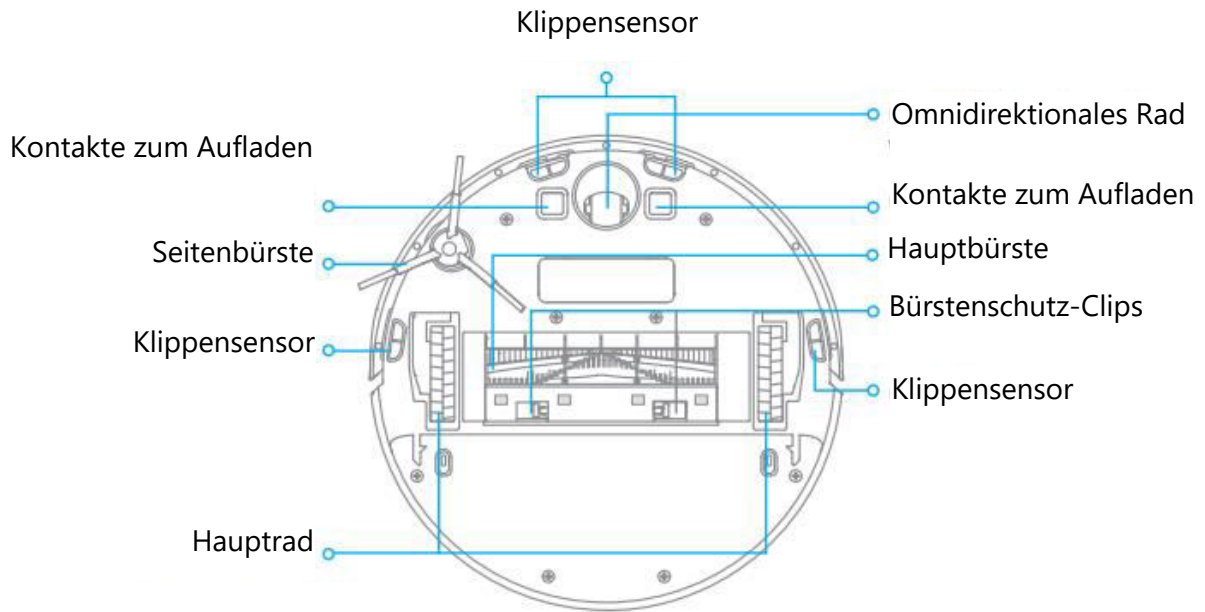
Reset-Taste

- Halten Sie die Taste 3 Sekunden lang gedrückt, um den Roboter auf die Werkseinstellungen zurückzusetzen.

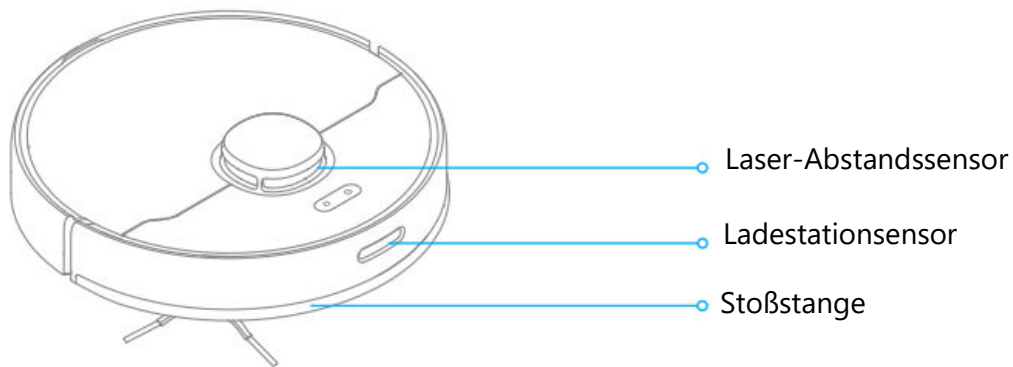
Wi-Fi-Anzeige

Reinigungswerkzeug

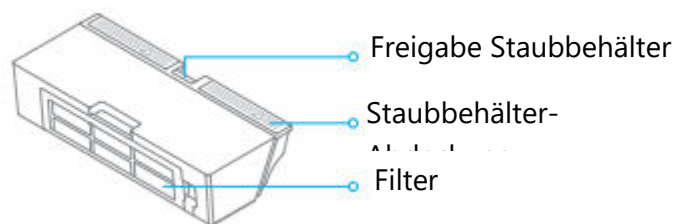
Luftauslass/Lautsprecher



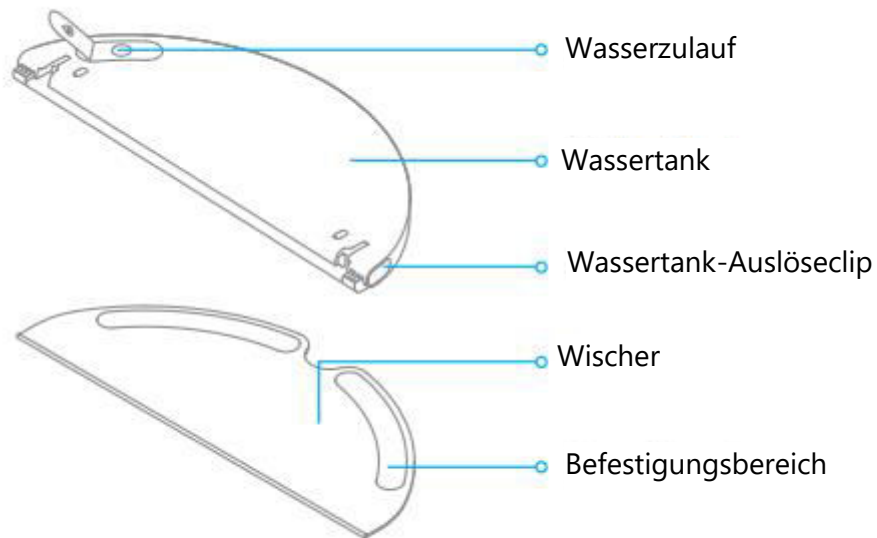
Roboter-Sensoren



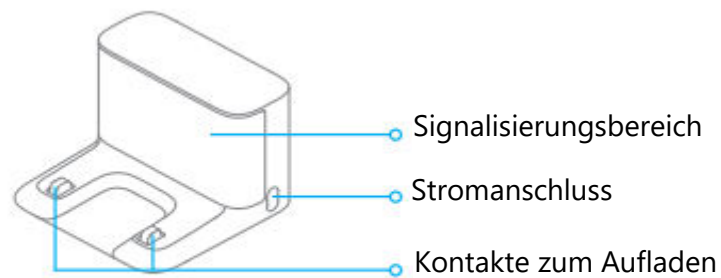
Staubbehälter



Wischmodul



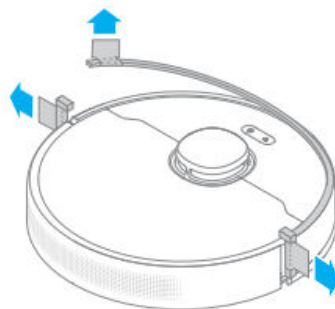
Dock zum Aufladen



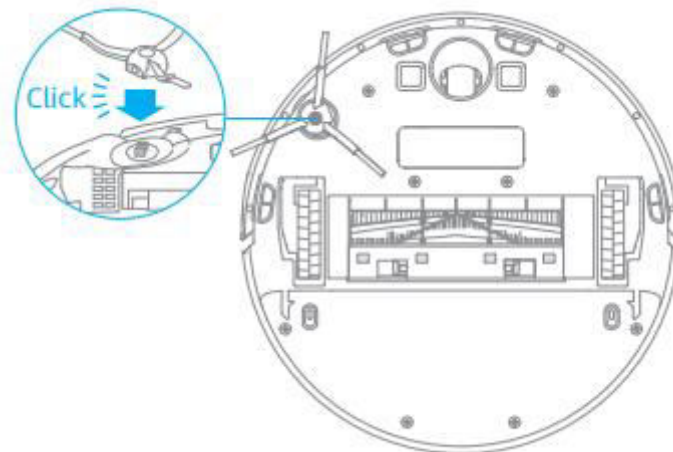
Vorbereitung vor der Verwendung

Entfernen Sie die Schutzfolie

Entfernen Sie die Schutzfolien auf dem Roboter.

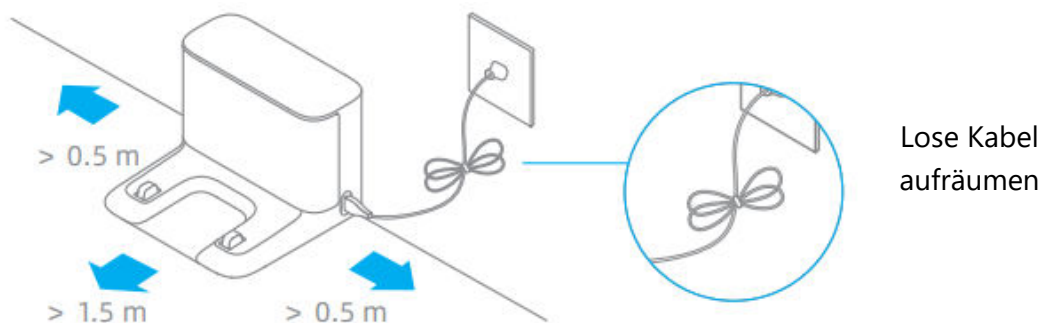


Montieren Sie die Seitenbürste



Hinweis: Setzen Sie die Seitenbürste ein, bis sie einrastet.


Stellen Sie die Ladestation auf ebenem Boden an die Wand und schließen Sie sie an eine Steckdose an.



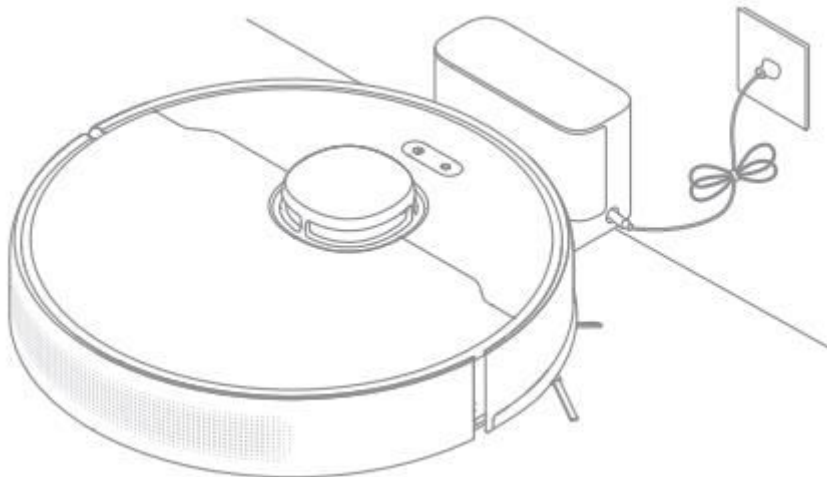
Anmerkung:

- Halten Sie den unmittelbaren Bereich 1,5 m vor dem Ladegerät und 0,5 m zu beiden Seiten der Ladestation frei von Gegenständen.
- Um sicherzustellen, dass Sie mit Ihrem Telefon eine gute Verbindung zum Roboter herstellen können, vergewissern Sie sich, dass sich der Roboter und die Ladestation in der Reichweite des Wi-Fi befinden.
- Stellen Sie die Ladestation nicht in einem Bereich mit direkter Sonneneinstrahlung oder anderen Objekten auf, die das Signal blockieren könnten, da dies die Rückkehr des Roboters zur Ladestation behindern könnte.

Stellen Sie den Roboter zum Aufladen auf die Ladestation. Der Roboter schaltet sich automatisch ein und beginnt mit dem Aufladen.

 Anzeige des Batteriestands

- Weiß: Der Batteriestand beträgt mehr als 15%.
- Orange: Der Batteriestand beträgt weniger als 15%.



Anmerkung:

- Laden Sie Ihren Roboter vor dem ersten Gebrauch vollständig auf.
- Installieren Sie das Wischmodul nicht während des Ladevorgangs. Seien Sie besonders vorsichtig mit einem nassen Wischmopp, da er den Boden beschädigen kann.

Verbinden mit Mi Home/Xiaomi Home App

Dieses Produkt funktioniert mit der Mi Home/Xiaomi Home App. Verwenden Sie die Mi Home/Xiaomi-App zur Steuerung Ihres Geräts und zur Interaktion mit anderen Smart Home-Geräten.

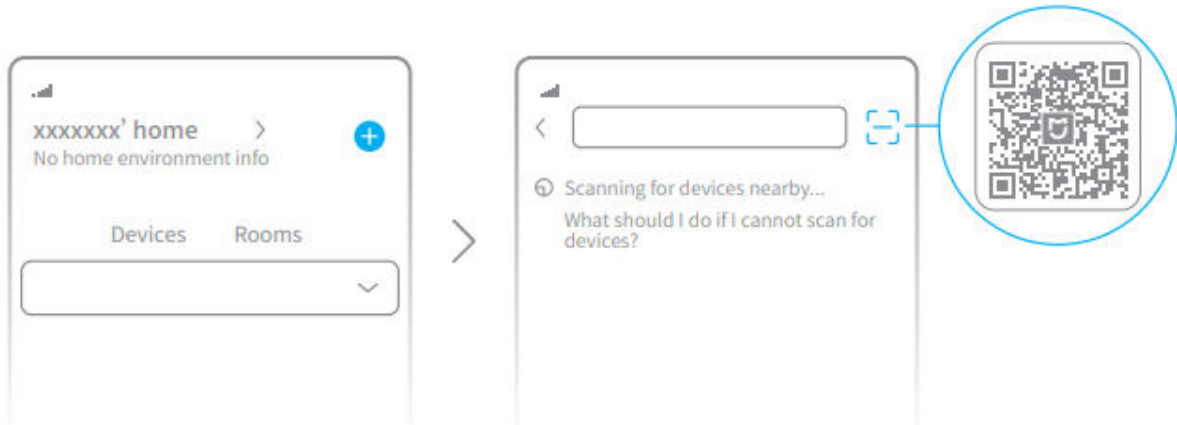
Laden Sie die Mi Home/Xiaomi Home App herunter

Scannen Sie den QR-Code, um die App herunterzuladen und zu installieren. Wenn die App bereits installiert ist, werden Sie zur Verbindungseinrichtungsseite weitergeleitet. Alternativ können Sie im App Store nach "Mi Home/Xiaomi Home" suchen, um die App herunterzuladen und zu installieren.



Gerät hinzufügen



Öffnen Sie die Mi Home/Xiaomi Home App und tippen Sie oben rechts auf "+". Tippen Sie dann auf "📶" in der oberen rechten Ecke, scannen Sie den QR-Code, fügen Sie "Dreame Bot D9 Max" hinzu und folgen Sie den Anweisungen, um die Verbindung herzustellen.

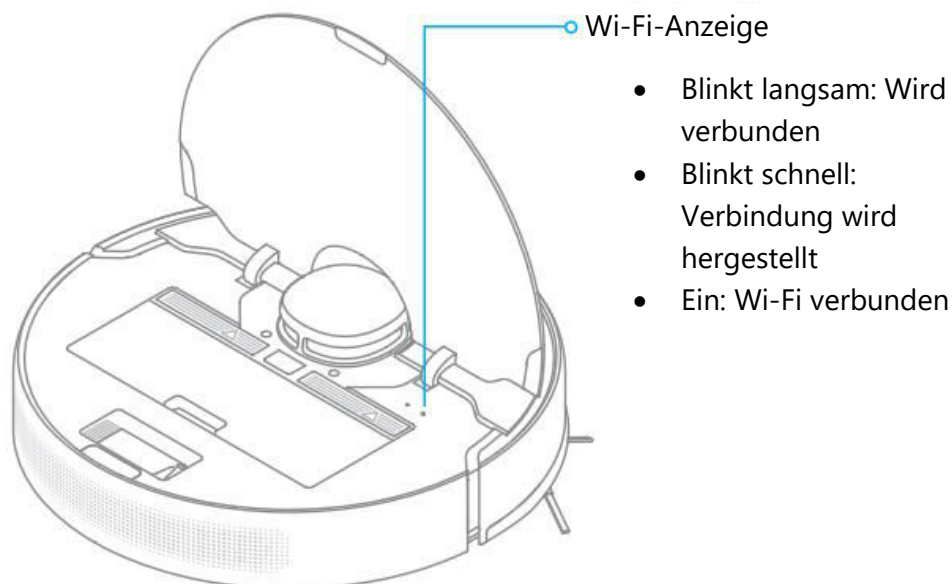


Anmerkung:

- Es wird nur 2,4-GHz-Wi-Fi unterstützt.
- Die Version der App könnte aktualisiert worden sein. Bitte folgen Sie den Anweisungen auf der Grundlage der aktuellen App-Version.

Wi-Fi zurücksetzen



Drücken und halten Sie gleichzeitig die Tasten  und , bis Sie eine Stimme hören, die sagt: "Warten auf die Netzwerkkonfiguration". Sobald die Wi-Fi-Anzeige langsam blinkt, wurde das Wi-Fi erfolgreich zurückgesetzt.




Hinweis: Wenn Ihr Roboter keine erfolgreiche Verbindung zur App herstellen kann, setzen Sie das WLAN zurück und fügen Sie das Gerät erneut hinzu.

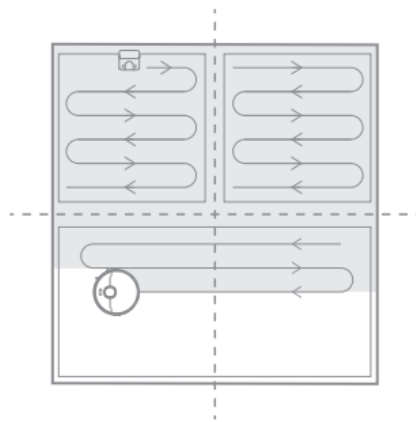
Gebrauchsanleitung

Einschalten/Ausschalten

Drücken Sie die Taste  und halten Sie sie 3 Sekunden lang gedrückt, um den Roboter einzuschalten. Sobald die Betriebsanzeige durchgehend weiß leuchtet, befindet sich der Roboter im Standby-Modus. Um den Roboter auszuschalten, halten Sie die Taste  3 Sekunden lang gedrückt, wenn sich der Roboter nicht bewegt. Durch das Ausschalten des Roboters wird die aktuelle Reinigungsaufgabe beendet.

Start Reinigung

Drücken Sie kurz auf die Taste , um den Roboter einzuschalten. Nach der Aktivierung legt der Roboter eine genaue Route fest, reinigt methodisch entlang der Kanten und Wände und reinigt schließlich jeden Raum in einem S-förmigen Muster, um eine gründliche Reinigung zu gewährleisten.



Hinweis: Wenn der Akku zu schwach ist, kehrt der Roboter automatisch zum Aufladen in die Ladestation zurück. Er nimmt nicht abgeschlossene Reinigungsaufgaben wieder auf, nachdem er den erforderlichen Akkustand erreicht hat. (Die Funktion "Unterbrechung der kontinuierlichen Reinigung" muss zuvor in der App aktiviert werden).

Reinigungsmodus

Dreame Bot D9 Max verfügt über vier Reinigungsmodi: Leise, Standard, Stark und Turbo. Der Standardmodus ist Standard. Sie können den Reinigungsmodus in der Mi Home/Xiaomi Home App festlegen.

Pause/Schlafmodus

Pausieren: Drücken Sie eine beliebige Taste, um den Roboter während der Reinigung anzuhalten.

Schlafmodus: Der Roboter wechselt nach 10 Minuten Inaktivität automatisch in den Ruhemodus, dann erlöschen die Strom- und Ladeanzeigen. Um den Roboter aufzuwecken, drücken Sie eine beliebige Taste.

Anmerkung:

- Der Roboter schaltet sich automatisch aus, wenn er länger als 12 Stunden im Ruhemodus bleibt.
- Wenn der Roboter angehalten wird, wird die aktuelle Reinigungsaufgabe beendet, wenn er auf die Ladestation gestellt wird.


Bitte nicht stören-Modus

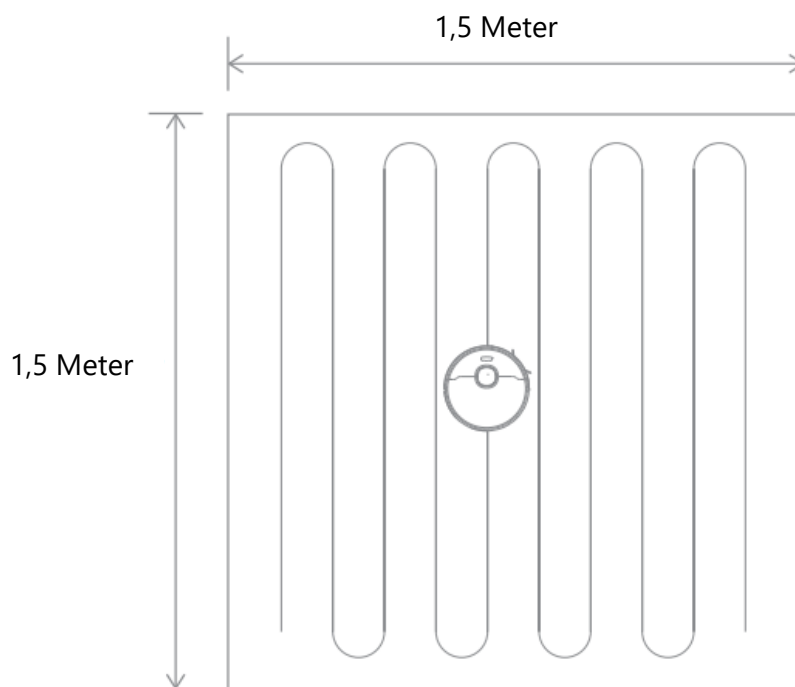
Der Modus "Nicht stören" verhindert, dass der Roboter automatisch Reinigungsaufgaben startet, und die Betriebsanzeige bleibt ausgeschaltet. Sie können den "Bitte nicht stören"-Modus aktivieren oder seine Zeiten in der App ändern. (Der Modus ist standardmäßig von 22:00 bis 08:00 Uhr aktiviert).

Anmerkung:

- Die planmäßigen Reinigungsarbeiten werden auch während der DND-Periode durchgeführt.
- Der Roboter setzt die Reinigung nach Ablauf der DND-Periode fort.

Zielreinigungsmodus

Wenn der Roboter pausiert oder sich im Standby-Modus befindet, halten Sie die Taste  3 Sekunden lang gedrückt, um den Spot Clean-Modus zu starten. In diesem Modus wird ein quadratischer Bereich von 1,5 x 1,5 Metern direkt um den Roboter herum gereinigt. Wenn die Punktreinigung abgeschlossen ist, kehrt der Roboter automatisch an seinen ursprünglichen Standort zurück und schaltet sich aus.



Hinweis: Wenn Sie den Spot Clean-Modus aktivieren, wird die aktuelle Reinigungsaufgabe des Roboters beendet.

Planmäßige Reinigung

Sie können die Reinigungszeit in der Mi Home/Xiaomi Home App planen. Der Roboter beginnt zur festgelegten Zeit automatisch mit der Reinigung und kehrt dann zum Aufladen in die Ladestation zurück, wenn die Reinigung abgeschlossen ist.

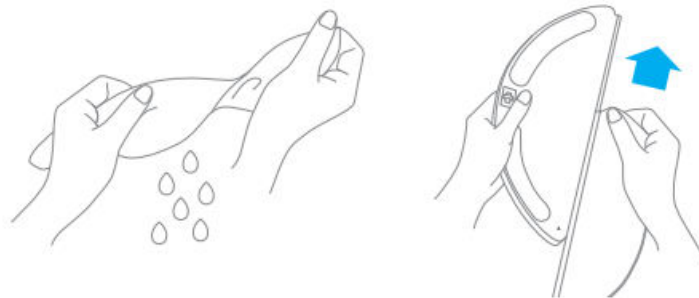
Zusätzliche Funktionen der App

Befolgen Sie die Anweisungen auf der App-Oberfläche, um weitere Funktionen zu nutzen. Die Version der App könnte aktualisiert worden sein; bitte folgen Sie den Anweisungen der aktuellen App-Version.

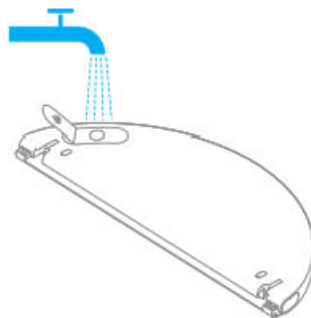
Verwenden Sie die Wischfunktion

Es wird empfohlen, alle Böden vor dem ersten Wischvorgang mindestens dreimal zu saugen, um eine bessere Reinigungswirkung zu erzielen.


1. Befeuchten Sie das Mopp-Pad und führen Sie überschüssiges Wasser ab. Schieben Sie das Pad bis zum Anschlag in den Schlitz des Wassertanks, bis es fest sitzt.

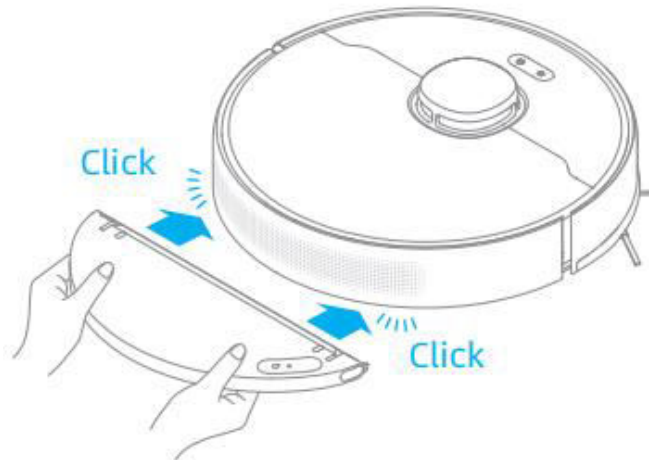


2. Öffnen Sie den Wassertankdeckel, füllen Sie Wasser in den Tank und schließen Sie den Deckel wieder fest.



Hinweis: Verwenden Sie keine Reinigungs- oder Desinfektionsmittel.

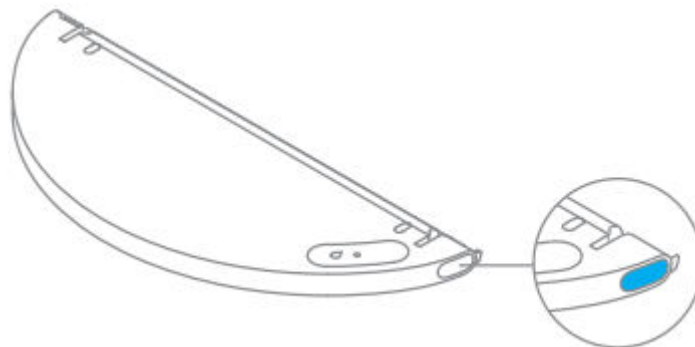
3. Richten Sie das Wischmodul wie mit dem Pfeil angezeigt aus und schieben Sie es dann in die Rückseite des Roboters, bis es einrastet. Drücken Sie die Taste  oder verwenden Sie die Mi Home/Xiaomi Home App, um die Reinigung zu starten.



Anmerkung:

- Es wird nicht empfohlen, die Wischfunktion auf Teppichen zu verwenden.
- Verwenden Sie die App, um das Wasser nach Bedarf einzustellen.

4. Drücken Sie die beiden seitlichen Klammern nach innen und schieben Sie den Wassertank nach hinten, um ihn vom Roboter zu trennen.

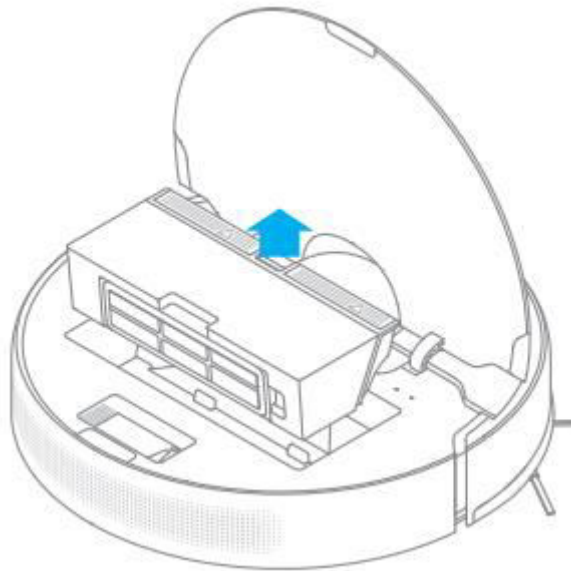


Hinweis: Wenn der Roboter aufgeladen wird oder nicht in Gebrauch ist, entfernen Sie das Wischmodul, gießen Sie das restliche Wasser aus dem Tank und reinigen Sie das Wischpad, um Schimmel und Geruch zu vermeiden.

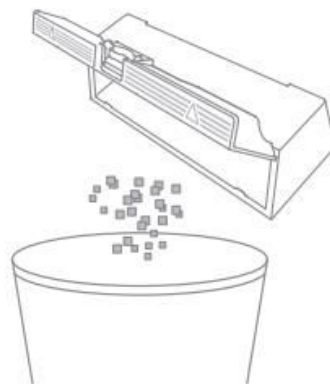
Routinemäßige Wartung

Reinigen Sie den Staubbehälter und den Filter

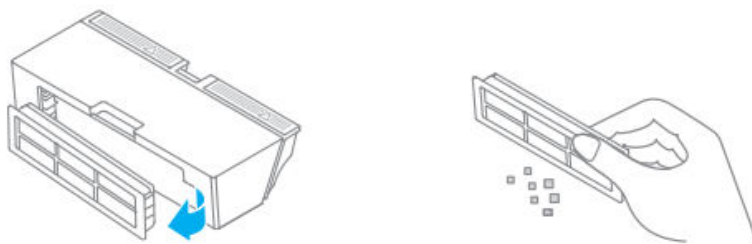
1. Öffnen Sie die Roboterabdeckung und drücken Sie dann auf den Staubbehälter-Clip, um den Staubbehälter zu entfernen.



2. Öffnen Sie die Abdeckung des Staubbehälters wie in der Abbildung gezeigt

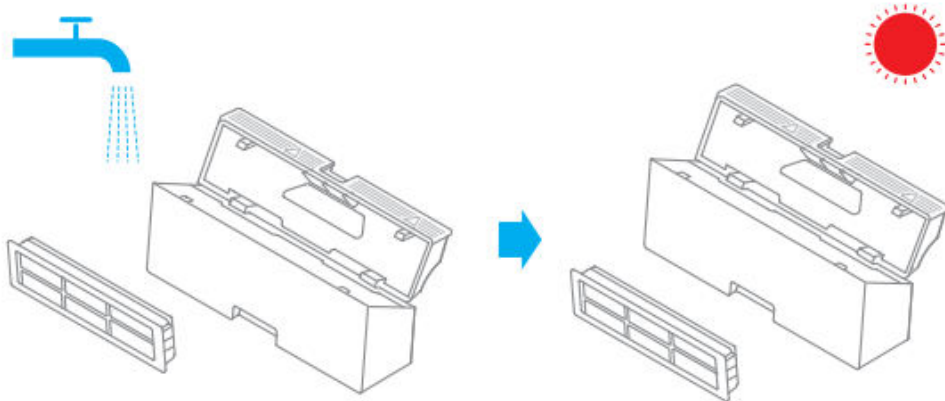


3. Nehmen Sie den Filter heraus und klopfen Sie vorsichtig auf seinen Korb.



Hinweis: Versuchen Sie nicht, den Filter mit einer Bürste oder dem Finger zu reinigen.

4. Spülen Sie den Staubbehälter und den Filter mit Wasser aus, bis sie sauber sind. Trocknen Sie den Filter vor dem Wiedereinbau gründlich ab.

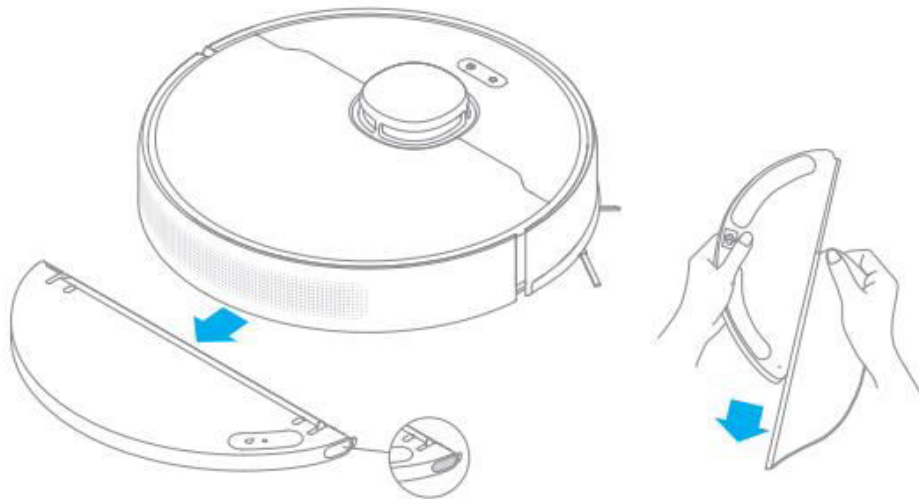


Anmerkung:

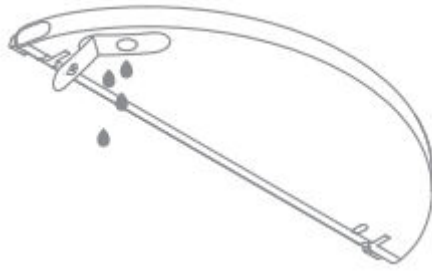
- Zum Reinigen des Filters darf nur sauberes Wasser verwendet werden. Verwenden Sie kein Reinigungsmittel.
- Bewahren Sie es an einem gut belüfteten oder kühlen Ort auf.

Reinigen Sie das Wischmodul

1. Drücken Sie die beiden Entriegelungsclips an der Seite des Wassertanks, nehmen Sie das Wischmodul ab und ziehen Sie den Wischmopp vom Wischmodul ab.

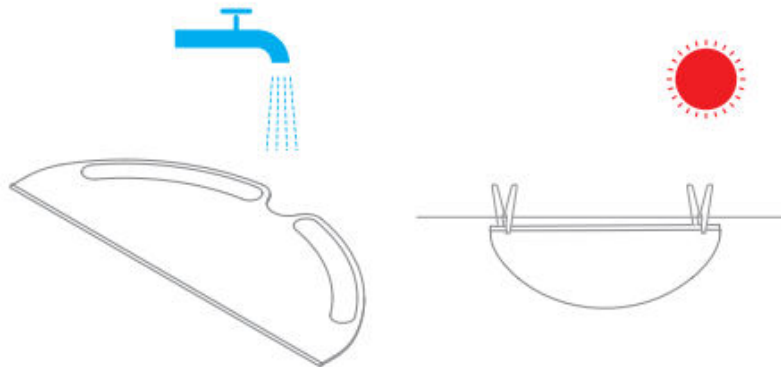


2. Gießen Sie das Wasser im Tank aus. Nur mit Wasser reinigen und vor dem Wiedereinbau an der Luft trocknen lassen.



Hinweis: Setzen Sie den Tank nicht direkt der Sonne aus.

3. Reinigen Sie den Wischmopp nur mit Wasser und lassen Sie ihn an der Luft trocknen, bevor Sie ihn wieder einsetzen.



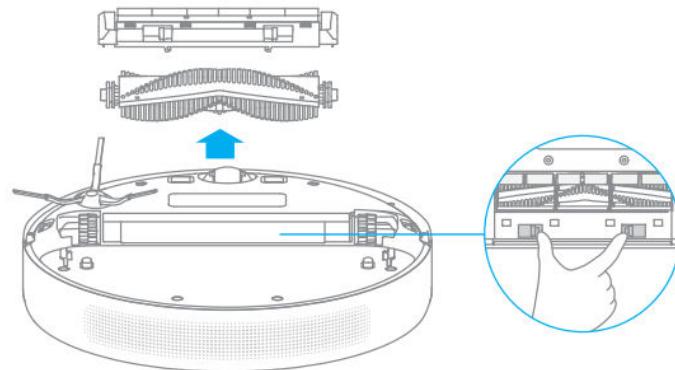
Anmerkung:

- Nehmen Sie das Pad aus dem Wischmodul, bevor Sie es reinigen, und achten Sie darauf, dass das Schmutzwasser nicht in den Wasserauslass zurückfließt, um Verstopfungen zu vermeiden.
 - Um eine optimale Leistung zu erzielen, wird empfohlen, das Moppkissen alle 3 bis 6 Monate zu ersetzen.
4. Wenn das Wasser langsam fließt oder die Menge nicht gut verteilt ist, reinigen Sie bitte das Luftloch im Deckel des Wassertanks.

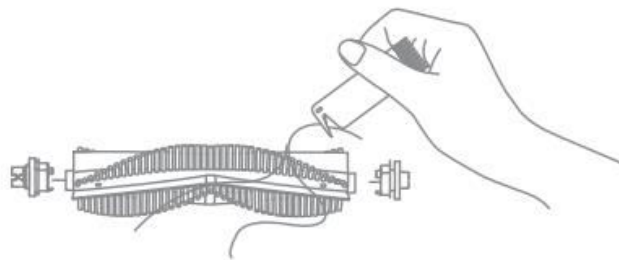


Reinigen Sie die Hauptbürste

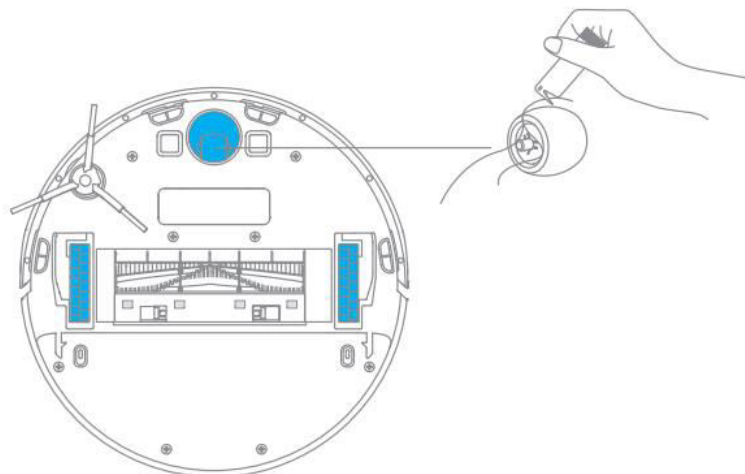
Drücken Sie die Clips des Bürstenschutzes nach innen, um den Bürstenschutz zu entfernen und die Bürste aus dem Roboter zu heben.



Ziehen Sie die Bürstenabdeckung wie in der Abbildung gezeigt heraus. Verwenden Sie das mitgelieferte Reinigungswerkzeug, um alle in der Bürste verhedderten Haare zu entfernen.



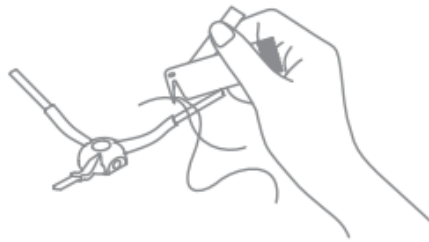
Reinigen Sie das Hauptrad/universelle Rad



Hinweis: Verwenden Sie ein Werkzeug wie einen kleinen Schraubenzieher, um Achse und Reifen zu trennen.

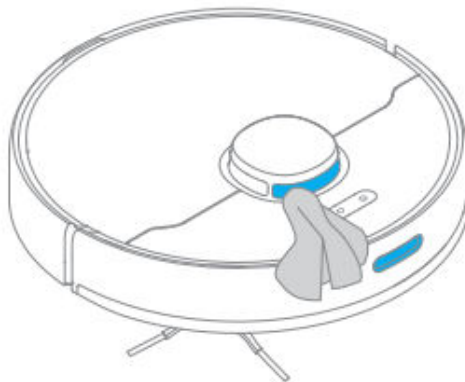
Reinigen Sie die Seitenbürste

Ziehen Sie die Seitenbürste heraus und verwenden Sie das mitgelieferte Reinigungswerkzeug, um alle Haare zu entfernen, die sich auf der Bürste verfangen haben.





Hinweis: Nasse Tücher können empfindliche Elemente im Roboter und in der Ladestation beschädigen. Bitte verwenden Sie zur Reinigung trockene Lappen.

Reinigen des Laserentfernungssensors / Rückkehrsenors zum Dock



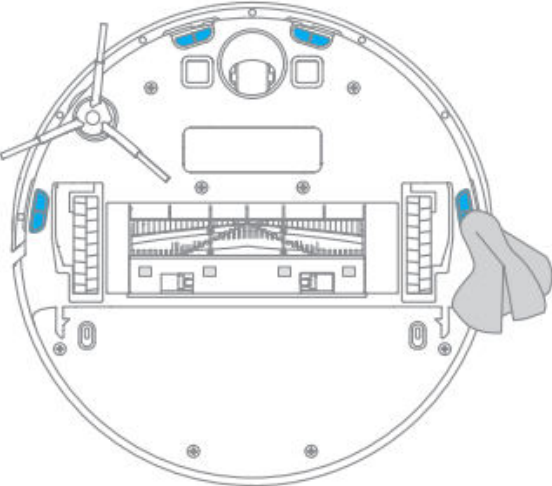
Neustart des Roboters

Wenn der Roboter nicht mehr reagiert oder sich nicht ausschalten lässt, drücken Sie die Taste  und halten Sie sie 10 Sekunden lang gedrückt, um ihn zwangsweise auszuschalten. Halten Sie dann die Taste  3 Sekunden lang gedrückt, um den Roboter wieder einzuschalten.

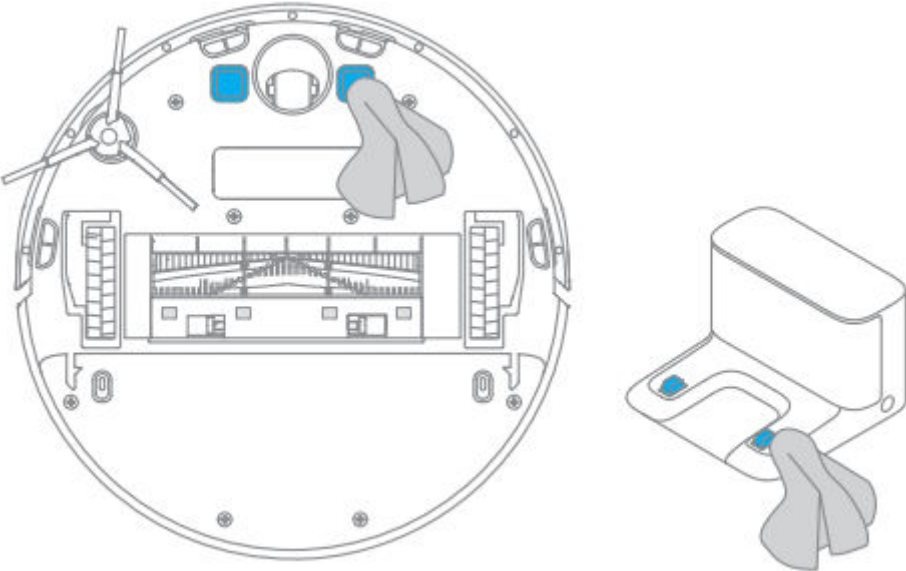
Batterie

Der Roboter enthält einen Hochleistungs-Lithium-Ionen-Akku. Bitte stellen Sie sicher, dass er bei täglichem Gebrauch gut aufgeladen ist, um die optimale Akkuleistung zu erhalten. Wenn der Roboter über einen längeren Zeitraum nicht benutzt wird, schalten Sie ihn aus und legen Sie ihn weg. Um Schäden durch Überentladung zu vermeiden, sollte der Roboter mindestens einmal alle drei Monate aufgeladen werden.

Reinigen Sie den Klippensensor



Reinigen Sie den Ladekontakt



FAQ

Problemtyp	Lösung
Roboter schaltet sich nicht ein	Der Akkustand ist niedrig. Laden Sie den Roboter an der Ladestation auf und versuchen Sie es dann erneut. Die Umgebungstemperatur ist zu niedrig (unter 0°C) oder zu hoch (über 40°C) Die Betriebstemperatur des Roboters beträgt 0°C bis 40°C.
Roboter kann sich nicht aufladen	Die Ladestation wird nicht mit Strom versorgt. Vergewissern Sie sich, dass beide Enden des Netzkabels richtig eingesteckt sind. Schlechter Kontakt. Reinigen Sie die Ladekontakte der Ladestation und des Roboters.
Roboter kann nicht in die Ladestation zurückkehren	Es gibt zu viele Hindernisse um die Ladestation herum. Stellen Sie die Ladestation in einem offeneren Bereich auf. Bitte reinigen Sie den Signalisierungsbereich der Ladestation.
Roboter hat eine Fehlfunktion	Schalten Sie den Roboter aus und dann wieder ein.
Der Roboter macht ein seltsames Geräusch	Ein Fremdkörper könnte sich in der Hauptbürste, der Seitenbürste oder einem der Haupträder verfangen haben. Halten Sie den Roboter an und entfernen Sie alle Fremdkörper.
Der Roboter reinigt nicht mehr effizient oder hinterlässt Staub	Der Mülleimer ist voll. Bitte reinigen Sie ihn. Der Filter ist verstopft. Bitte reinigen Sie ihn. Ein Fremdkörper hat sich in der Aminbürste verfangen. Bitte reinigen Sie ihn.
Roboter kann keine Verbindung zu Wi-Fi herstellen	Mit der Wi-Fi-Verbindung ist ein Fehler aufgetreten. Setzen Sie das WLAN zurück und laden Sie die neueste Version der Mi Home/Xiaomi Home App herunter und versuchen Sie dann, die Verbindung wieder herzustellen. Die Standortberechtigung ist nicht geöffnet. Bitte vergewissern Sie sich, dass die Standortberechtigung in der Mi Home/Xiaomi Home App aktiviert ist. Das Wi-Fi-Signal ist schwach. Stellen Sie sicher, dass sich der Roboter in einem Gebiet mit guter Wi-Fi-Abdeckung befindet. 5GHz Wi-Fi wird nicht unterstützt. Vergewissern Sie sich, dass Ihr Roboter eine 2,4-GHz-Wi-Fi-Verbindung herstellt. Der Benutzername oder das Passwort für Wi-Fi ist falsch. Bitte geben Sie den richtigen Benutzernamen und das richtige Passwort ein.
Der Roboter führt keine planmäßige Reinigung durch	Der Roboter hat eine schwache Batterie. Die planmäßige Reinigung wird nicht gestartet, wenn der Roboter nicht rechtzeitig aufgeladen wurde.
Verbraucht der Roboter Strom, wenn er auf der Ladestation bleibt, auch wenn er bereits voll	Wenn Sie den Roboter auf der Ladestation lassen, nachdem er vollständig aufgeladen ist, verbraucht er nur sehr wenig Strom und trägt dazu bei, die optimale

aufgeladen ist?	Batterieleistung zu erhalten.
Es kommt kein oder nur wenig Wasser aus dem Wischmodul heraus	Vergewissern Sie sich, dass der Wassertank mit Wasser gefüllt ist, und reinigen Sie ggf. das Moppkissen. Reinigen Sie den Mopp, wenn er verschmutzt ist. Vergewissern Sie sich, dass der Mopp-Pad gemäß der Bedienungsanleitung richtig eingesetzt ist. Reinigen Sie die Ausblasöffnung oben auf dem Wassertank.
Der Roboter setzt die Reinigung nach dem Aufladen nicht fort	Vergewissern Sie sich, dass der Roboter nicht auf den Modus "Nicht stören" eingestellt ist, da er sonst die Reinigung nicht fortsetzen kann. Der Roboter nimmt die Reinigung nicht wieder auf, wenn er manuell aufgeladen oder auf die Basis gestellt wird.
Der Roboter kehrt nach einer Bewegung nicht in die Ladestation zurück	Das Bewegen des Roboters kann dazu führen, dass er sich neu positioniert oder seine Umgebung neu abbildet. Wenn der Roboter zu weit von der Ladestation entfernt ist, kann er möglicherweise von selbst zurückkehren. In diesem Fall müssen Sie den Roboter manuell auf die Ladestation setzen.

Spezifikationen

Roboter

Modell	RLS5-BL1
Batterie	5200 mAh (Akku-Nennkapazität)
Aufladezeit	Ca. 6 Stunden
Drahtlose Konnektivität	Wi-Fi IEEE 802.11b/g/n 2,4 GHz
Nennspannung	14,4 V $\overline{=}$
Nennleistung	40W
Betriebsfrequenz	2400-2483,5 MHz
Maximale Ausgangsleistung	< 20 dBm

Dock zum Aufladen

Modell	RCS0
Nennleistung	100-240 V ~ 50/60 Hz 0,5 A
Nennleistung	19,8 V $\overline{=}$ 1A

Bei normalem Gebrauch des Geräts sollte ein Abstand von mindestens 20 cm zwischen der Antenne und dem Körper des Benutzers eingehalten werden.

Garantiebedingungen

Auf ein neues Produkt, das im Vertriebsnetz von Alza gekauft wurde, wird eine Garantie von 2 Jahren gewährt. Wenn Sie während der Garantiezeit eine Reparatur oder andere Dienstleistungen benötigen, wenden Sie sich direkt an den Produktverkäufer. Sie müssen den Originalkaufbeleg mit dem Kaufdatum vorlegen.

Als Widerspruch zu den Garantiebedingungen, für die der geltend gemachte Anspruch nicht anerkannt werden kann, gelten:

- Verwendung des Produkts für einen anderen Zweck als den, für den das Produkt bestimmt ist, oder Nichtbeachtung der Anweisungen für Wartung, Betrieb und Service des Produkts.
- Beschädigung des Produkts durch Naturkatastrophe, Eingriff einer unbefugten Person oder mechanisch durch Verschulden des Käufers (z. B. beim Transport, Reinigung mit unsachgemäßen Mitteln usw.).
- Natürlicher Verschleiß und Alterung von Verbrauchsmaterialien oder Komponenten während des Gebrauchs (wie Batterien usw.).
- Exposition gegenüber nachteiligen äußeren Einflüssen wie Sonnenlicht und anderen Strahlungen oder elektromagnetischen Feldern, Eindringen von Flüssigkeiten, Eindringen von Gegenständen, Netzüberspannung, elektrostatische Entladungsspannung (einschließlich Blitzschlag), fehlerhafte Versorgungs- oder Eingangsspannung und falsche Polarität dieser Spannung, chemische Prozesse wie verwendet Netzteile usw.
- Wenn jemand Änderungen, Modifikationen, Konstruktionsänderungen oder Anpassungen vorgenommen hat, um die Funktionen des Produkts gegenüber der gekauften Konstruktion zu ändern oder zu erweitern oder nicht originale Komponenten zu verwenden.

EU-Konformitätserklärung

Angaben zur Identifizierung des bevollmächtigten Vertreters des Herstellers/Importeurs:

Importeur: Alza.cz a.s.

Eingetragener Sitz: Jankovcova 1522/53, Holešovice, 170 00 Prag 7

ID-Nr.: 27082440

Gegenstand der Erklärung:

Titel: Staubsauger- und Wischroboter

Modell / Typ: RLS5-BL1

Das oben genannte Produkt wurde nach der/den Norm(en) geprüft, die zum Nachweis der Einhaltung der in der/den Richtlinie(n) festgelegten grundlegenden Anforderungen verwendet wurde(n):

Richtlinie Nr. 2014/53/EU

Richtlinie Nr. 2011/65/EU in der Fassung 2015/863/EU



WEEE

Dieses Produkt darf gemäß der EU-Richtlinie über Elektro- und Elektronik-Altgeräte (WEEE - 2012/19 / EU) nicht über den normalen Hausmüll entsorgt werden. Stattdessen muss es an den Ort des Kaufs zurückgebracht oder bei einer öffentlichen Sammelstelle für wiederverwertbare Abfälle abgegeben werden. Indem Sie sicherstellen, dass dieses Produkt ordnungsgemäß entsorgt wird, tragen Sie dazu bei, mögliche negative Folgen für die Umwelt und die menschliche Gesundheit zu vermeiden, die andernfalls durch eine unsachgemäße Abfallbehandlung dieses Produkts verursacht werden könnten. Wenden Sie sich an Ihre örtliche Behörde oder an die nächstgelegene Sammelstelle, um weitere Informationen zu erhalten. Die unsachgemäße Entsorgung dieser Art von Abfall kann gemäß den nationalen Vorschriften zu Geldstrafen führen.

